

QuickNiche® – Vinyl Liner Niche Installation Procedures

IMPORTANT SAFETY INSTRUCTIONS
READ AND FOLLOW ALL INSTRUCTIONS
SAVE THESE INSTRUCTIONS

Table of Contents

Section I.	General Information.	3
Section II.	Vinyl Liner Installation Instructions	3
Section III.	Technical Data	5
A.	Replacement Parts	5
	Hole Placement Template	See attachment P/N 630020

NOTE

- For use **ONLY** with Pentair Water Pool and Spa® wet niche light fixtures 783XXX, 784XXX, 789XXX, and 600XXX.
- **NOT COMPATIBLE WITH BRASS-CHROME FACE RINGS.**

DANGER



RISK OF ELECTRICAL SHOCK OR ELECTROCUTION

This niche - fixture housing must be installed by a licensed or certified electrician in accordance with the National Electrical Code and all applicable local codes and ordinances. Improper installation will create an electrical hazard which could result in death or serious injury to pool users, installers or others due to electrical shock, and may also cause damage to property. Read and follow the specific instructions below.

WARNING

Before installing this product, read and follow all warning notices and instructions accompanying this niche. Failure to follow safety warnings and instructions can result in severe injury, death, or property damage. Call (800) 831-7133 for additional free copies of these instructions.

Important Notice



Attention Installer.

This manual contains important information about the installation, operation and safe use of this product. This information should be given to the owner/operator of this equipment.

Pentair Water Pool and Spa, Inc.

1620 Hawkins Ave., Sanford, NC 27330 • (800) 831-7133 • (919) 566-8000
10951 West Los Angeles Ave., Moorpark, CA 93021 • (800) 831-7133 • (805) 553-5000
Visit us on the Internet at: www.pentairpool.com or www.staritepool.com



⚠ DANGER! Risk of Electrical Shock or Electrocution!



This product must be installed by a licensed or certified electrician or a qualified pool serviceman in accordance with the National Electrical Code and all applicable local codes and ordinances. Improper installation will create an electrical hazard which could result in death --- or serious injury to pool users, installers or others due to electrical shock, and may also cause damage to property. Always disconnect the power to the pool light at the circuit breaker before servicing the light. Failure to do so could result in death or serious injury to serviceman, pool users or others due to electrical shock. **READ AND FOLLOW ALL INSTRUCTIONS IN THIS MANUAL.**

⚠ WARNING — Important Safety Information for Pentair Niche and Light Installation

- All Niche and Light installations must conform with all codes.
- Under no circumstances replace lights by splicing wire under water or behind niche.

**⚠ WARNING — RISK OF ELECTRIC SHOCK AND INJURY.
USE ONLY THE INSTALLATION METHOD SPECIFIED BELOW.**

Important Safety Information for Fountain Fixture Installations

Location of Luminaire Use	Pentair Fountain Fixture* (P/N 560000 – P/N 560001) (P/N 560002 – P/N 560003)	Required Installation Method
Swimming Pool or Spa	Wet-Niche Swimming Pool (or Spa) Luminaire (Light)	Fixture Housing (Forming Shell) ONLY. DO NOT USE Fountain Fixture Stand.
Fountain	Wet-Niche Submersible Swimming Pool (or Spa) Luminaire (Light)	Fixture Housing (Forming Shell) or Fountain Fixture Stand.

(*) Note: Wet-niche luminaires complying with requirements for both uses may bear both the Listed Wet-Niche Swimming Pool (or Spa) Luminaire UL Mark and the Listed Wet-Niche Submersible Luminaire UL Mark. A luminaire not bearing the corresponding UL Listing Mark is not considered by UL to have been produced under UL's Listing and Follow-Up Service for the associated usage location.

© 2007 Pentair Water Pool and Spa, Inc. All rights reserved.

1620 Hawkins Ave., Sanford, NC 27330 • (800) 831-7133 • (919) 566-8000
10951 West Los Angeles Ave., Moorpark, CA 93021 • (800) 831-7133 • (805) 553-5000



This document is subject to change without notice.

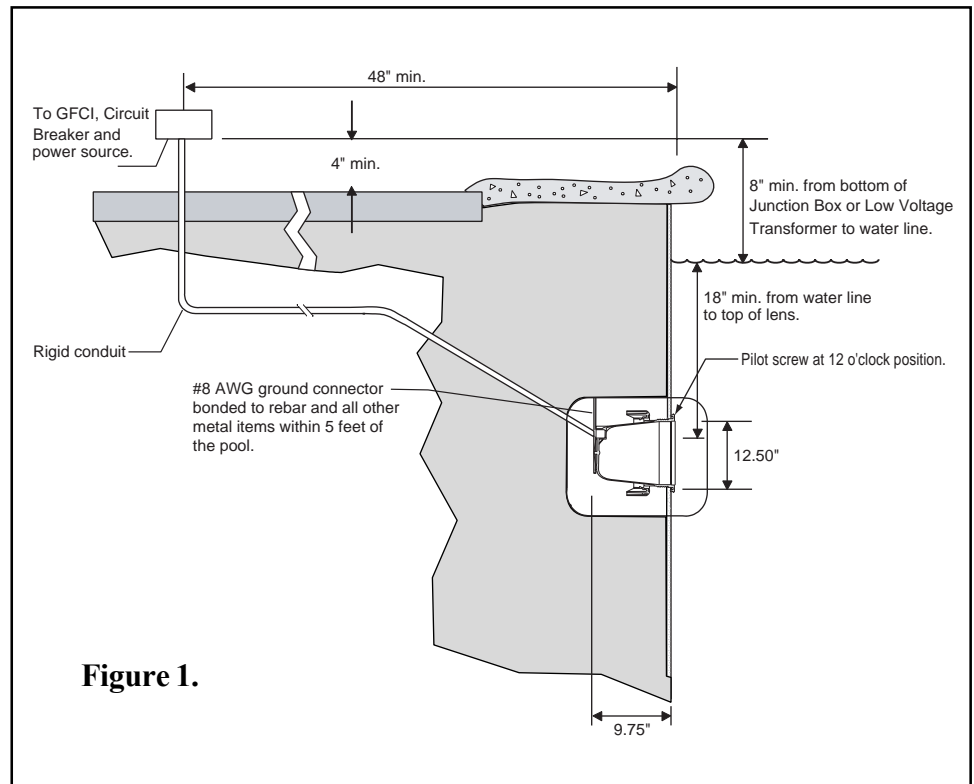
Trademarks and Disclaimers: Pentair Water Pool and Spa and QuickNiche are registered trademarks of Pentair Water Pool and Spa, Inc. Other trademarks and trade names may be used in this document to refer to either the entities claiming the marks and names of their products. Pentair Water Pool and Spa, Inc. disclaims any proprietary interest in trademarks and trade names other than its own.

Section I. General Information

A. Ensure that the electrical system of your pool conforms with the following requirements of the National Electrical Code (NEC), and all local codes and ordinances. A licensed or certified electrician must install the electrical system to meet or exceed those requirements before the QuickNiche (fixture-housing) is installed.

B. Some of the NEC requirements are listed below.

1. The lighting circuit must have a Ground Fault Circuit Interrupter (GFCI), and have an appropriately rated circuit breaker.
2. The junction box or the low voltage transformer is located at least 8 inches above water level, 4 inches above ground level, and at least 48 inches from the edge of the pool, see Figure 1.
3. The light fixture and all metal items within five (5) feet of the pool must be properly electrically bonded.
4. The wet niche must be properly installed so the pilot screw hole is at the 12 o'clock position and that the top edge of the underwater light's lens is at least 18 inches below the surface of the water in the pool; see Figure 1.



NOTE

The required orientation of all Pentair lights is with the pilot screw at the 12 o'clock position. This is guaranteed by proper niche installation.

5. The niche is properly electrically bonded and grounded via the NO. 8 AWG ground connector located at the rear of the niche, see Figure 1.

C. Use only Pentair Water Pool and Spa® lighting fixtures in this niche to ensure proper bonding and grounding connections.

⚠ DANGER



RISK OF ELECTRICAL SHOCK OR ELECTROCUTION

For proper bonding and grounding connections, use only Pentair Water Pool and Spa® Underwater Light Fixtures with this niche-fixturing housing. Failure to do so could create an electrical hazard which would result in death or serious injury to pool users, installers and others.

Section II. QuickNiche Installation Instructions for Vinyl Liner Pools

- A. Punch or cut a large hole in the panel (minimum diameter of 10-5/8", maximum diameter of 10-3/4") in the desired location on the pool wall.
- B. For hole placement guide refer to the QuickNiche Template, P/N 630020.
- C. Trim the hole until the niche fits correctly. The correct position of the niche is with the conduit hub at the 12 o'clock position.
- D. Apply two dabs of DC 732 Clear Silicone, (P/N 630023, included with niche), on back of flange and a single bead across the threads of the niche housing. See Figure 2.

- E. While holding the niche with the conduit hub at the 12 o'clock position, thread the lock ring (P/N 630016) onto the back of the niche until the ring is hand tight. If needed, use a rubber mallet, to fully tighten the ring, but make sure that the conduit hub remains at the 12 o'clock position.

NOTE

The niche is only designed for up to 5/8" thick walls. The thread on the lock ring should engage with the niche body threads at least one full thread.

- F. Install the vinyl liner in the pool per the vinyl liner instructions provided by the manufacturer. Fill up the pool until just below the level of the niche in order to stretch the liner.

CAUTION

RISK OF PROPERTY DAMAGE

Over tightening or using a motorized screwdriver on the seal ring screws can over torque the screw threads and damage the niche housing and/or liner seal. The required sealing torque of 18-20 in.-lb. can be achieved by the average person using a #2 Phillips screwdriver.

- G. Install the seal ring (P/N 630017) using the screws provided, making sure to locate the bottom catch for the light at the 6 o'clock position (see Figure 3). Tighten the screws in a cross pattern to approximately 18 inch-pounds. For reference this is about as tight as you can get with a normal #2 Phillips screwdriver. **DO NOT TIGHTEN WITH A MOTORIZED SCREWDRIVER.**

- H. After all the screws have been tightened, cut out the liner along the inside edges of the seal ring and install the light.

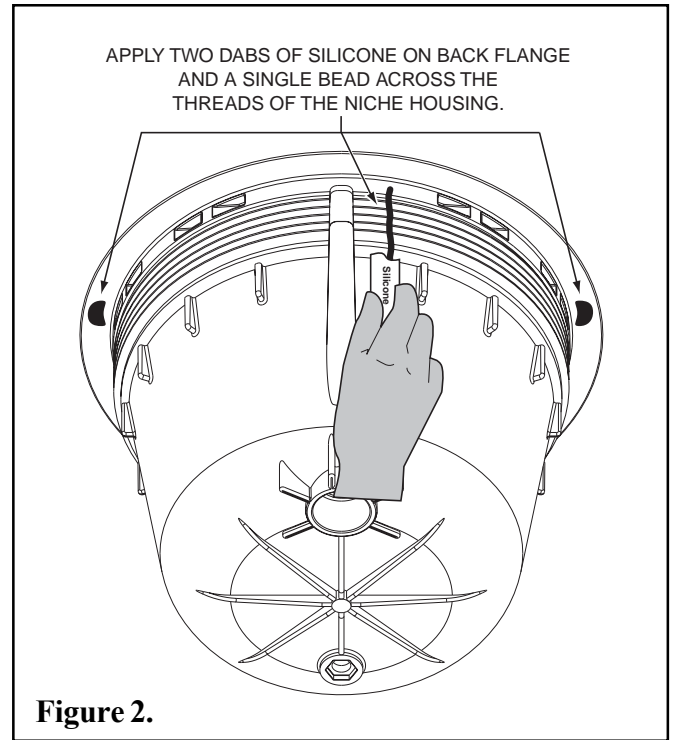


Figure 2.

- H. After all the screws have been tightened, cut out the liner along the inside edges of the seal ring and install the light.

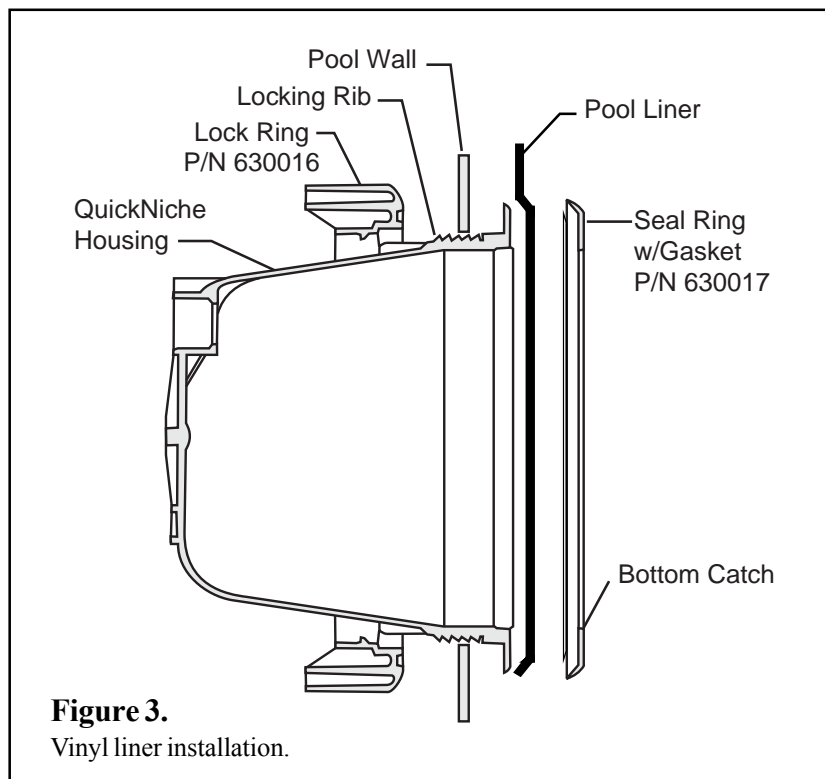
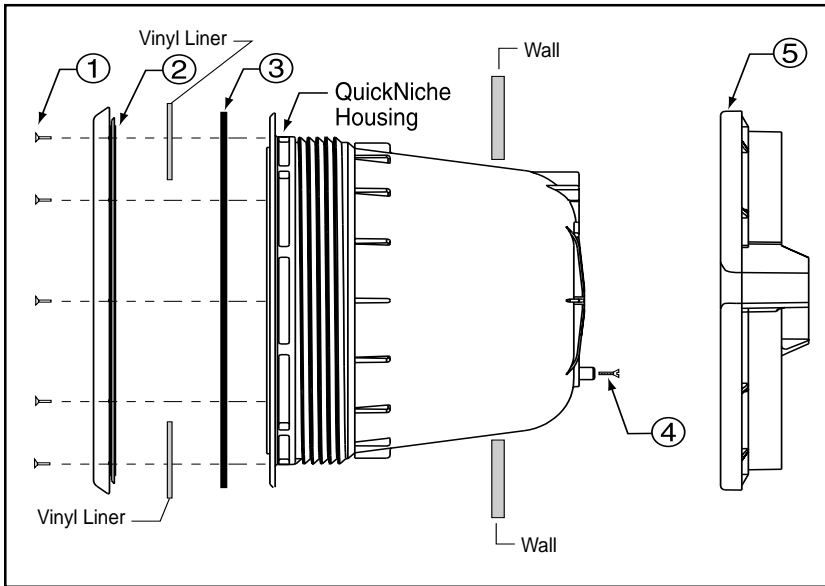


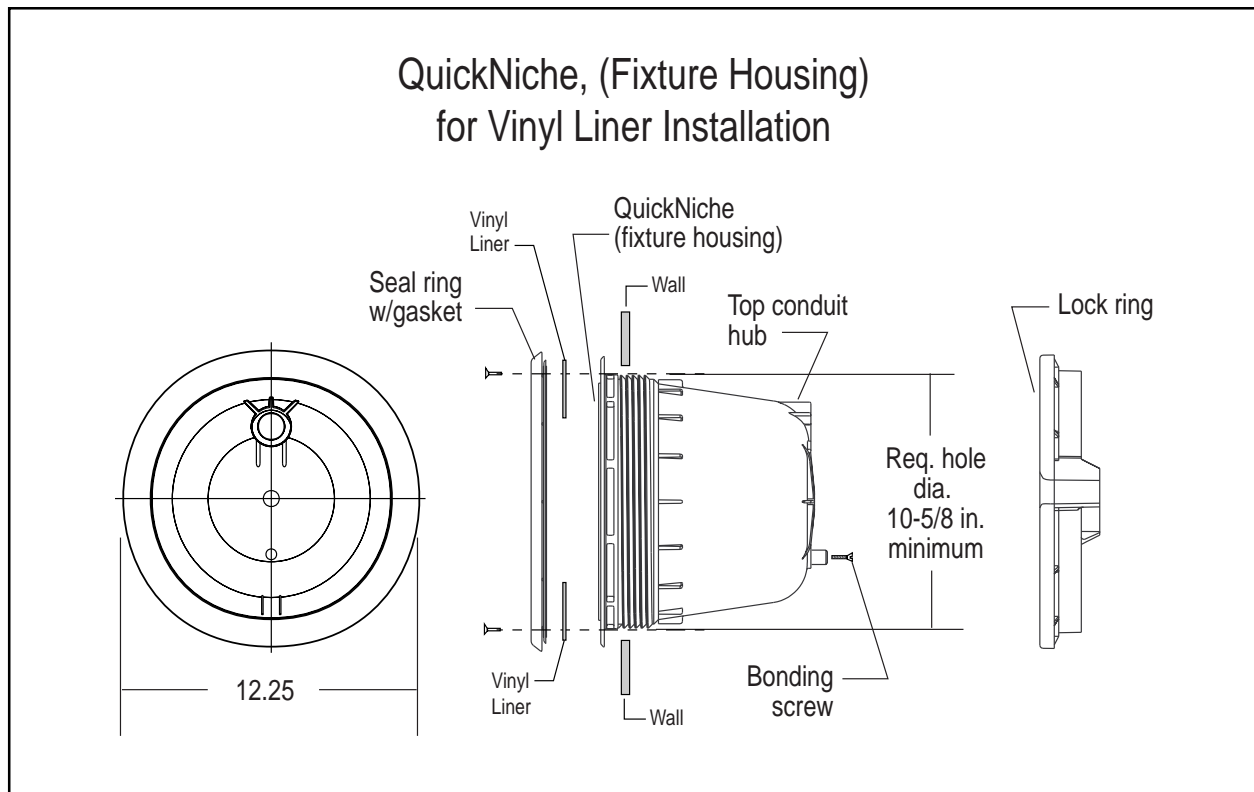
Figure 3.
Vinyl liner installation.

Section III. Technical Data

A. Replacement Parts



Item	P/N	Description
1	630021	Screw Kit, QuickNiche, 10 hole
2	630017	Face Ring w/Gasket
3	630025	Gasket
4	990010	Screw, Bonding 10-24 X 7/16 in.
5	630016	Lock Ring
Not Shown		
	619555	Bonding Lug Kit
	630022	Screw, Pilot
	630023	Silicone Packet, DC 732 Clear
	630046	Repair Kit, QuickNiche



SAVE THESE INSTRUCTIONS.

This page is blank.

This page is blank.

Pentair Water Pool and Spa, Inc.

1620 Hawkins Ave., Sanford, NC 27330 • (800) 831-7133 • (919) 566-8000

10951 West Los Angeles Ave., Moorpark, CA 93021 • (800) 831-7133 • (805) 553-5000

Visit us on the Internet at: www.pentairpool.com or www.staritepool.com

