

# Fountain Fixture — (Niche Mount Kit) Installation Instructions

(For Fountain or Pond use ONLY)

**IMPORTANT SAFETY INSTRUCTIONS**  
**READ AND FOLLOW ALL INSTRUCTIONS**  
**SAVE THESE INSTRUCTIONS**



**Fountain Niche Kit for Small Lights**  
(P/N 560003)

is to be used ONLY with  
Pentair Water Pool and Spa®

Luminaires with the following P/N's:

77181100, 77188100, 77182500,  
77111100, 77114100, 77118100,  
77313100, 77310100, 77161100,  
77164100, 77168100, 77375100,  
77360300, 77365000, 77362000,  
640000, 640001, 640002, 640003, 640004,  
78101200, 78104200, 78108200,  
78107000, 78107500, 78104100,  
78108100, 78107200, 78109100,  
78105500, 78108500, 78566500.



**Fountain Niche Kit for Large Lights**  
(P/N 560002)

is to be used ONLY with  
Pentair Water Pool and Spa®

Luminaires with the following P/N's:

78354200, 78354400, 78356200,  
78356008, 78356108, 78356400,  
78356401, 600061, 600062, 78421100,  
78424100, 78428100, 78928400,  
78928500, 78927000, 78927900,  
78441100, 78444100, 78448100,  
78948900, 78949100, 78447100,  
78449100, 78451100, 78454100,  
78458100, 78958300, 78456300,  
78457100, 78459100, 78444200,  
78448200, 78941500, 78950100,  
78454200, 78458200, 78958500,  
78458300, 78858100, 78856900.

**⚠ DANGER**



**RISK OF ELECTRICAL SHOCK OR ELECTROCUTION**

This product must be installed by a licensed or certified electrician in accordance with the National Electrical Code and all applicable local codes and ordinances. Improper installation will create an electrical hazard which could result in death or serious injury to installer, or others due to electrical shock, and may also cause damage to property.

**⚠ WARNING**



**RISK OF ELECTRICAL SHOCK OR ELECTROCUTION**

Do **NOT** use in a swimming pool, spa or other body of water involving immersed person use. **USE ONLY** with a luminaire marked as a "submersible luminaire". A luminaire marked as a swimming pool or spa luminaire must also be marked 'submersible luminaire' to be used with this fountain fixture.

**⚠ WARNING**

Before installing this product, read and follow all warning notices and instructions accompanying this product. Failure to follow safety warnings and instructions can result in severe injury, death, or property damage. Call (800) 831-7133 for additional free copies of these instructions.

**Important Notice**



Attention Installer.

This manual contains important information about the installation, operation and safe use of this product. This information should be given to the owner/operator of this equipment.

**Pentair Water Pool and Spa, Inc.**

1620 Hawkins Ave., Sanford, NC 27330 • (800) 831-7133 or (919) 566-8000

10951 West Los Angeles Ave., Moorpark, CA 93021 • (800) 831-7133 or (805) 553-5000

Visit us on the Internet at: [www.pentairpool.com](http://www.pentairpool.com) or [www.staritepool.com](http://www.staritepool.com)



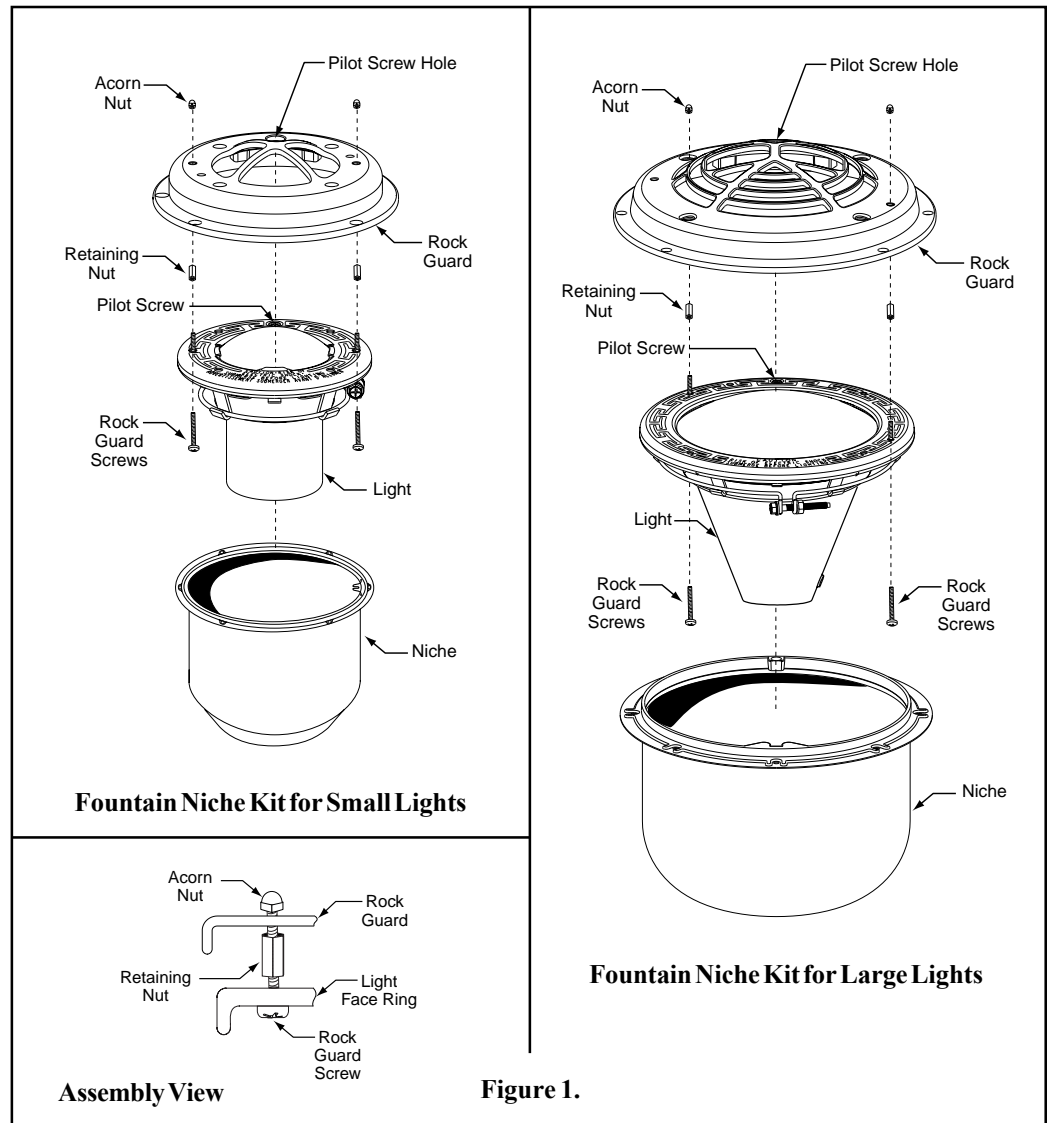
## Section I. Installing Fountain Light Fixture — Niche Mount

A. Preparatory steps which must be completed by the electrician before the light fixture is installed:

1. Verify that the fountain meets the requirements of the current National Electrical Code and all local codes and ordinances. A licensed or certified electrician must install the electrical system to meet or exceed those requirements before the underwater light is installed.
2. Verify that the lighting circuit has a Ground Fault Circuit Interrupter (GFCI) for line voltage models and has an appropriately rated circuit breaker.
3. The wet niche must be properly installed so that the top of the underwater light's lens is at least 2 inches below the surface of the water.
4. The wet niche must be properly electrically bonded and grounded via the #8 AWG ground connector located at the rear of the niche.

B. Steps to perform after the electrical system requirements are met:

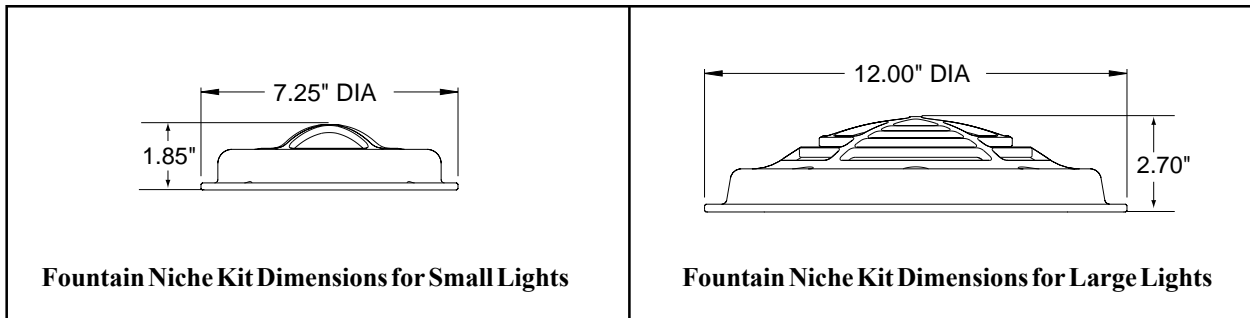
1. Assemble the screws and nuts to the stainless steel face ring of the light being used. See Figure 1.
2. Feed the cord through conduit to the Junction Box, leaving some length of cord at the light fixture to coil around the light. This length of cord around the light allows the light to be pulled out of the water and serviced conveniently without having to disconnect the light from the J-Box.
3. Ensure that the length of exposed cord in the fountain is no more than 10 ft. (3 m).
4. Cut the cord at the Junction Box, leaving at least 6 inches of cord to make connections.
5. Strip 6 inches of the outer cord jacket to expose the three insulated wires – be careful not to damage the insulation on the three inner wires.
6. Connect all three wires to the corresponding circuit wires in the Junction Box and secure the Junction Box cover in place.
7. Place the light assembly into the niche and tighten special pilot screw.
8. Position and secure the rock guard with the acorn nuts provided. To ensure proper positioning, align the pilot screw of the light with the pilot screw hole of the rock guard. Refer to Figure 1.



## **⚠ WARNING**

Never operate this underwater light for more than 10 seconds unless it is totally submerged in water. Without total submersion, the light assembly will get extremely hot, which may result in serious burns or in breakage of the lamp or lens. This may result in serious injury to pool/spa users, installers, or bystanders, or in damage to property.

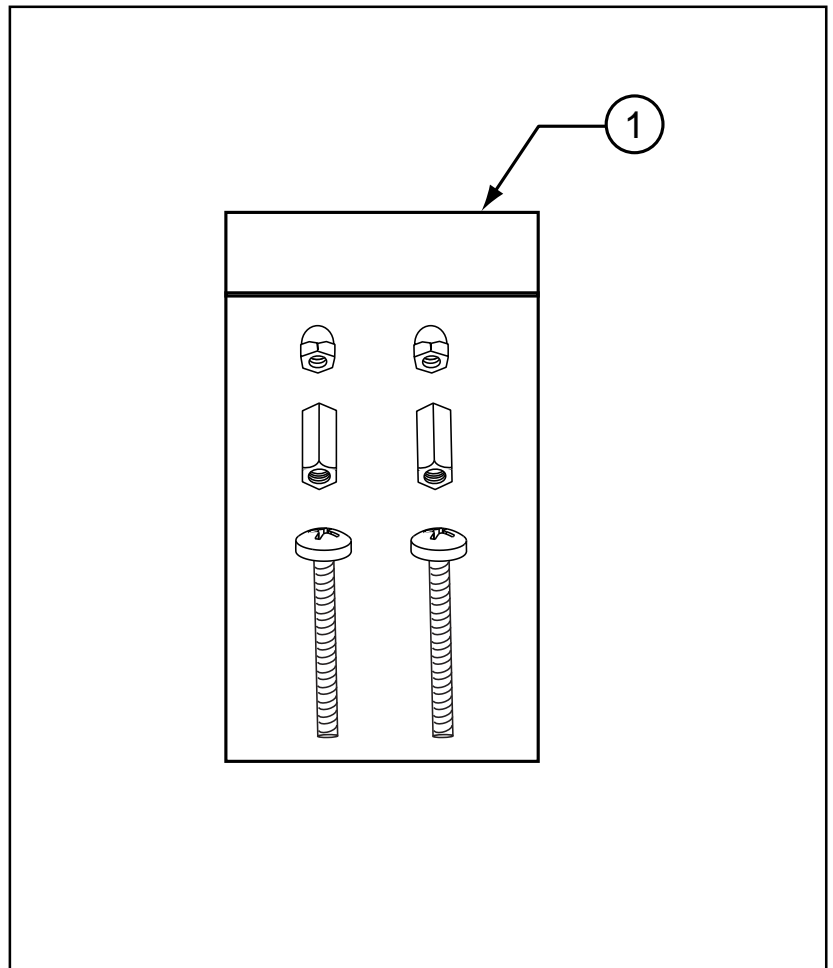
9. Fill the fountain until the light is completely submerged in water before operating it for more than 10 seconds. Entire fixture must be at least 2 inches below water level.
10. Turn on main switch or circuit breaker, as well as the switch that operates the light itself, to check for proper operation. Refer to Operating Instructions of the light.



## **Section II. Technical Data**

### **A. Replacement Parts**

<b>Item No.</b>	<b>P/N</b>	<b>Description</b>
1	570011	Fountain Niche Screw Kit



**SAVE THESE INSTRUCTIONS**

© 2008 Pentair Water Pool and Spa, Inc. All rights reserved.

1620 Hawkins Ave., Sanford, NC 27330 • (800) 831-7133 or (919) 566-8000  
10951 West Los Angeles Ave., Moorpark, CA 93021 • (800) 831-7133 or (805) 553-5000



**This document is subject to change without notice.**

**Trademarks and Disclaimers:** Pentair Water Pool and Spa® is a trademark and/or registered trademark of Pentair Water Pool and Spa, Inc. and/or its affiliated companies in the United States and/or other countries. Unless noted, names and brands of others that may be used in this document are not used to indicate an affiliation or endorsement between the proprietors of these names and brands and Pentair Water Pool and Spa, Inc. Those names and brands may be the trademarks or registered trademarks of those parties or others.