

FIBERworks®

Installation Instructions for Blackout Windows

IMPORTANT SAFETY INSTRUCTIONS READ AND FOLLOW ALL INSTRUCTIONS SAVE THESE INSTRUCTIONS

⚠ WARNING

Read and follow all warning notices and instructions accompanying this product. Failure to follow safety warnings and instructions can result in severe injury, death, or property damage. Call (800) 831-7133 for additional free copies of this manual.

Important Notice



Attention Installer.

This manual contains important information about the installation, operation and safe use of this product. This information should be given to the owner/operator of this equipment.

⚠ WARNING



RISK OF ELECTRICAL SHOCK OR ELECTROCUTION

This product should be installed by a qualified service technician. Disconnect all power before starting this installation process to all associated pool equipment. Failure to do so could result in poor performance of the fiber optic system, and could present a serious electrical hazard, which could cause severe personal injury or death due to electrical shock, and may also cause property damage.

To install this window, you must remove the existing round white plastic part at the top of the unit that allows the Photon Generator to function as a landscape light, and replace it with this black piece. Note that installing this blackout window will completely eliminate the landscape light from the Photon Generator, but will have no effect on the fiber optic lighting in the pool or spa.

The following procedure must be followed to ensure proper integrity of the system:

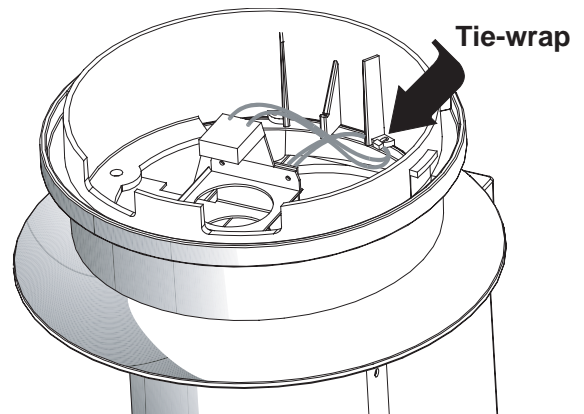
1. Turn off power at the circuit breaker.
2. Remove the lid from the Photon Generator.
3. Carefully cut the tie wrap that holds the two white lamp wires to the white plastic window.

⚠ WARNING



RISK OF ELECTRICAL SHOCK OR ELECTROCUTION

Do not cut or nick the lamp wires when removing tie-wrap. This could cause an electrical hazard which could result in severe injury or death, or may cause property damage.

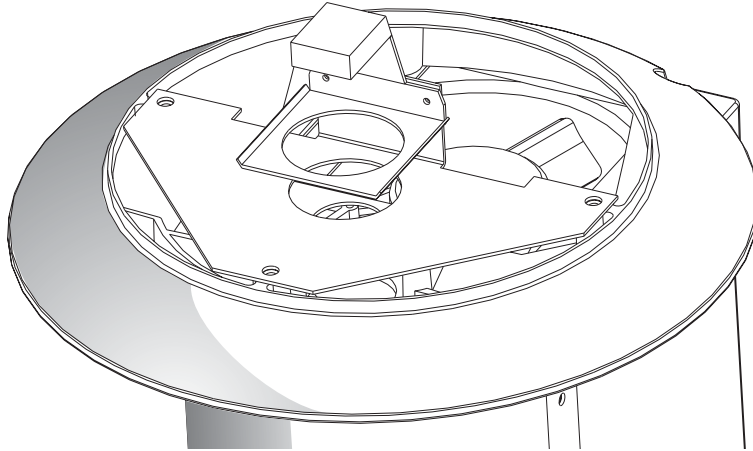


Pentair Pool Products

1620 Hawkins Ave., Sanford, NC 27330 • (919) 566-8000
10951 West Los Angeles Ave., Moorpark, CA 93021 • (805) 523-2400

 **Pentair**
Pool Products®
Because reliability matters most

4. Remove and set aside the three #8 screws that hold the window in place. You will need these screws to install the replacement window.
5. Remove the existing white window.
6. Note how the triangular aluminum piece sits on the base. Make sure the three holes in it line up with the three screw holes and place the black window so that its three holes line up as well.



7. Replace the three screws, making sure not to over-tighten them, to avoid stripping the screw holes.
8. Make sure the lamp wires are routed out of the way of the color wheel (if applicable). Use a small tie wrap to secure them in place.
9. Replace the lid and test functionality.

**If you have any questions regarding this installation,
please call our Customer Service Hotline,
Monday through Friday, 7:30 am to 4:30 pm, PST at:
(800) 831-7133**

SAVE THESE INSTRUCTIONS.

Pentair Pool Products

1620 Hawkins Ave., Sanford, NC 27330 • (919) 566-8000
10951 West Los Angeles Ave., Moorpark, CA 93021 • (805) 523-2400

