



# #R172323, #R172324 & #R172288 CHECK VALVE INSTALLATION INSTRUCTIONS

**FOR #300-29X CHLORINATOR: USE #R172324 1/2" CHECK VALVE INSTEAD OF #R172323 1/4" CHECK VALVE AS SHOWN**

NOTE: MAKE SURE ALL PUMPS AND TIMER SWITCHES ARE IN THE OFF POSITION.

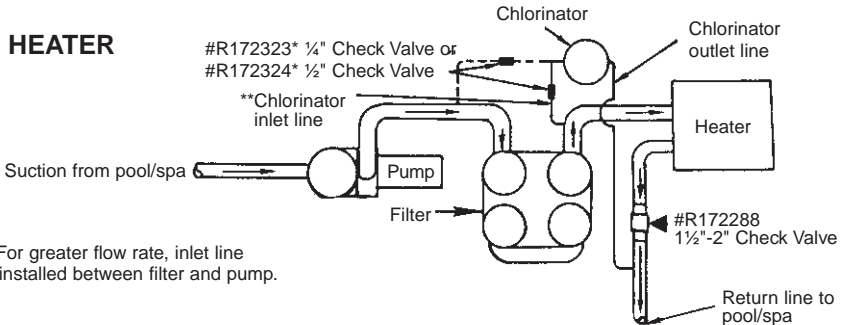
## #R172323\* 1/4" CHECK VALVE & #R172324\* 1/2" CHECK VALVE INSTALLATION:

1. Cut Chlorinator inlet line at desired location.
2. Slide compression nut over one end of line. Make sure arrow on check valve is pointing toward Chlorinator, insert barbed end of check valve into line and tighten the nut finger tight. Repeat procedure for other end of check valve.

## #R172288 1 1/2"-2" CHECK VALVE INSTALLATION:

1. Cut piping at required location for your situation (refer to drawings).
2. Making sure arrow on check valve is pointing away from equipment and in the direction of water flow to the pool/spa, glue in check valve using PVC solvent cement. 1 1/2" pipe will glue directly in valve, 2" pipe requires two 2" slip x slip couplings

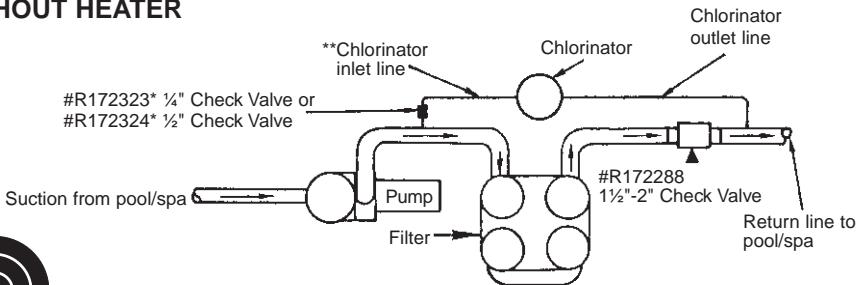
### WITH HEATER



\*\*Note: For greater flow rate, inlet line may be installed between filter and pump.

**NOTE: If heaters are used, a FIREMAN'S SWITCH or equivalent must be installed to prevent possible damage and improper operation of CHECK VALVE and other equipment subject to heat damage.**

### WITHOUT HEATER



**Pentair**  
Pool Products™  
Sanford, NC  
Moorepark, CA

# EQUIPMENT SAFETY CAUTION

## PLEASE READ CAREFULLY

Since most pool plumbing is not airtight, and a mixture of air and chlorine is highly corrosive to metals, it is important to protect these items from corrosion in the OFF period when no circulation is taking place. (There is no chance for chlorine corrosion when the circulating system is in operation.)

Of course, corrosion or erosion of metal components can still occur independently of any chlorinator installation for the following reasons:

1. Water velocity too high.
2. Water pH less than 7.2.
3. Total alkalinity less than 100 PPM.

If your pool or spa has any of the following equipment, special plumbing procedures must be followed for safe operation:

1. Brass or bronze gate, rotary or backwash valves.
2. The preceding valves constructed of PVC or other plastic material with metallic shafts.
3. Filters, heaters, heat exchangers or other items with metallic tanks, shafts, coils or tubes.
4. **NOT FOR USE IN COPPER PLUMBING.**

Installation of the **OPTIONAL** Rainbow #R172288, #R172323\* and #R172324\* positive seal, corrosion resistant check valve **SHOWN ON REVERSE SIDE** will prevent the backflow of corrosive liquids and gases that can damage equipment containing metallic components. Examples listed above.

\*Note: Valve size and tubing size must match.

**WARNING: If your pool is equipped with a permanent built in pool-cleaning system, damage could occur to that system if materials are not compatible with low pH Tri-Chloro feeders. Check with manufacturer for compatibility.**