

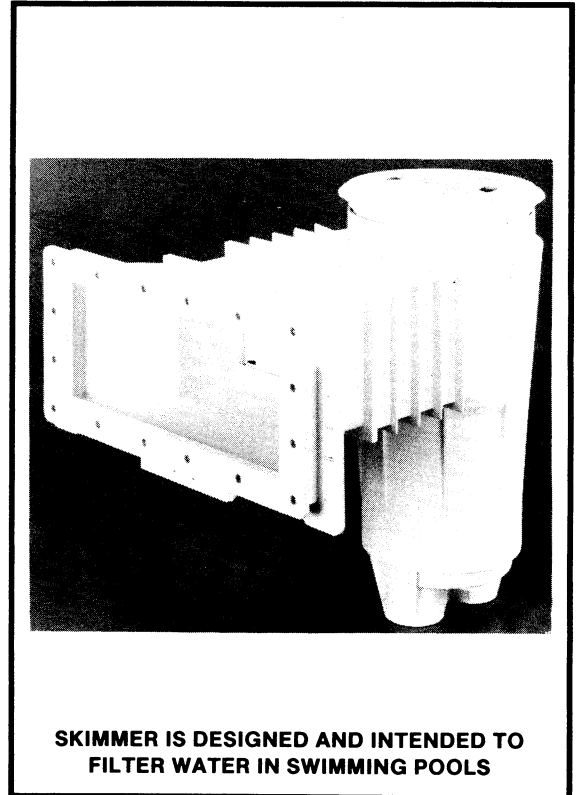
BERMUDA

VINYL LINER SKIMMER

INSTALLATION, OPERATION & SERVICE MANUAL

WARNING

THIS MANUAL CONTAINS IMPORTANT SAFETY INFORMATION WHICH MUST BE FURNISHED TO THE END USER. FAILURE TO READ AND FOLLOW INSTRUCTIONS COULD RESULT IN SERIOUS PERSONAL INJURY AND/OR MAJOR PROPERTY DAMAGE.



SKIMMER IS DESIGNED AND INTENDED TO FILTER WATER IN SWIMMING POOLS

TABLE OF CONTENTS

A. Installation	2	F. Operation	4
B. Concrete Deck Recommendations	3	G. Dimensions	6, 7
C. Installation Of Options	3, 4	H. Troubleshooting Guide	8
D. Vacuuming	4	I. Replacement Parts	8
E. Winterizing Procedure	4		



MEMBER



NATIONAL SPA & POOL INSTITUTE

CORPORATE OFFICE

Sanford, NC
(919) 774-4151

PAC-FAB WEST
El Monte, CA
(818) 442-7795

PAC-FAB SOUTH
Longwood, FL
(407) 339-8535

Do It Right The First Time.SM



Pentair
Pool ProductsTM

Because reliability matters most

This skimmer has been designed to be used with a variety of pool walls and installation methods. Read through these instructions and in conjunction with the pool wall manufacturer's instructions, identify which installation method is best suited for your application.

A. INSTALLATION

1-For optimum skimming action, skimmer should be placed relative to prevailing wind and water flow direction. Consult pool manufacturer's instructions for additional placement recommendations.

2-Skimmer can be mounted with the throat extending through the pool wall or butted up against the back of the pool wall. For through wall mounting, follow instructions A.3 through A.14 and use Figure 1. For back-mounting (also known as Flushmounting) follow instructions A.15 through A.25 and use Figure 2.

3-If pool panel has been prepunched and predrilled, skip to step A.7.

4-Cut out wall panel section per table 1.

5-Place skimmer face in opening and mark location of mounting holes onto pool wall.

6-Drill 7/32" holes into pool wall for securing screws.

7-For metal panels, leave flange spacers (Item 14)* in place.

8-For foam or wood panels that are between 11/16" and 3/4" in thickness, remove flange spacers by reaching behind mounting flange and pinch the two snap levers towards each other while simultaneously pushing forward on the snap levers. Once the snaps have been disengaged, the spacer can be removed.

*Part numbers in parenthesis refer to the replacement parts as shown in the exploded drawing at the end of the manual.

9-Insert skimmer face into panel cutout from the rear until mounting flange or spacers contact pool wall.

10-Secure skimmer to wall with four (4) 1-1/4" long pan head mounting screws (Item 13) by inserting screws through holes in panel and into skimmer mounting flange.

11-Place gasket (Item 9 or 11) on skimmer face, aligning holes in gasket with holes in skimmer face. A light application of silicone adhesive will help hold gasket in place.

12-Install vinyl liner. Follow pool manufacturer's instructions for proper vinyl liner installations.

13-Align second gasket and face plate (Item 8 or 10) and tightly fasten to skimmer face with flathead faceplate screws provided (Item 12). Pierce liner through face plate holes one at a time prior to inserting screws.

14-Cut out vinyl liner along inside edges of faceplate. Skip to step A.26 for piping instructions.

15-If pool panel has been prepunched and predrilled, skip to step A.21.

16-Cut out wall panel section per table 1.

17-Using faceplate gasket (Item 9 or 11), mark location of mounting holes. See Figures 4 and 5 for holes used in flushmounting skimmers.

18-Drill 7/32" holes located in step A.17.

19-Place gasket against pool wall again and mark location of remaining holes.

20-Drill 9/32" holes for faceplate screws located in step A.19.

21-Place gasket on skimmer face, aligning holes in gasket with holes in skimmer face. A light application of silicone adhesive will help hold gasket in place.

READ AND FOLLOW ALL SAFETY INSTRUCTIONS

22-Secure skimmer to wall with (4) pan head mounting screws provided (Item 13). Use 5/8" long pan head screws for pool walls from 1/8" to 1/4" thick. Use 1-1/4" long pan head screws for pool walls from 1/4" to 1/2" thick.

23-Install vinyl liner. Follow pool manufacturers' instructions for proper vinyl liner installation.

24-Align second gasket and faceplate (Item 8 or 10) and tightly fasten to skimmer face with flathead faceplate screws provided. Pierce liner through faceplate holes one at a time prior to inserting screws. Screws secure through: (A) Faceplate, (B) Gasket, (C) Liner, (D) Pool Wall, (E) Gasket, and into (F) Skimmer Face.

25-Cut out vinyl liner along inside edges of faceplate.

26-Install any additional supports as supplied for recommended by the pool wall manufacturers.

27-Assemble piping and pipe fittings to skimmer. All piping must conform to local and state plumbing and sanitary codes. When using threaded plastic pipe fittings for skimmer hook up, use only silicone sealant and tighten fittings hand tight plus 1-1/2 turns MAXIMUM. DO NOT OVERTIGHTEN! Allow 24 hours for sealant to cure.

****CAUTION****

When gluing PVC Pipe into an ABS Skimmer, you must use the Primer as recommended by the glue manufacturer. This will ensure PVC to ABS Cement compatibility and a leak free joint.

28-Long piping runs and elbows restrict flow. For best efficiency, use the fewest possible fittings and large diameter pipe (1-1/2" on 1-1/2" skimmers and 2" on 2" skimmers).

****CAUTION****

Insure piping is adequately supported on undisturbed earth. If additional backfilling and tamping is necessary, do not stress pipe or skimmer port by lifting or moving pipe after skimmer port connections have been made.

29-Seal off any unused skimmer ports with o-ring style plugs (Items 17, 18).

**** CAUTION ****

For sealing skimmer ports, use only the plugs and o-rings provided. DO NOT use tapered metal plugs as this will void manufacturer's warranty. If skimmer must be bypassed for line pressure testing, use only commercially available test kits with o-ring sealing provisions.

B. CONCRETE DECK RECOMMENDATIONS

1-If a concrete deck is to be poured around the perimeter of the pool, follow pool wall manufacturer's recommendations for backfilling and soil preparation prior to concrete deck installation. This is important to reduce the possibility of excessive settling of the backfill after concrete deck installation which may result in cracking of the concrete deck.

2-After proper back filling and soil preparation have been completed, the concrete deck may be poured following good standard concrete practices. Use high quality concrete of sufficient strength for the size of deck being poured. Tool joints should be made as shown in Figure 3 to reduce and localize any cracks that occur in the deck due to the minor amount of settling that can happen, even in well prepared soil.

C. INSTALLATION OF OPTIONS

FLOAT VALVE

1-Remove all items from bag.

2-Place large o-ring into groove in bottom of skimmer.

3-Place float valve into bottom of skimmer and press to seat o-ring.

READ AND FOLLOW ALL SAFETY INSTRUCTIONS

4-To increase flow through valve, slide trimmer plate to uncover hole in bottom of valve. To decrease flow, slide trimmer plate to cover hole in bottom of valve.

VACUUM PLATE

1-Remove vacuum plate and lid insert from bag.

2-Remove deck lid from skimmer by removing deck lid screws and lifting deck lid from collar.

3-Orient locating tabs on lid insert with respect to notches in underside of deck lid.

4-Push lid insert firmly until it snaps in place in underside of deck lid.

5-Thread vacuum plate onto insert.

6-Replace deck lid with vacuum plate to skimmer, securely fastening the two deck lid screws.

**** WARNING ****

Always replace the two deck lid screws and tighten securely to avoid serious personal injury.

D. VACUUMING

1-Remove deck lid from skimmer by removing deck lid screws and lifting deck lid from collar.

2-Unscrew vacuum plate from bottom of deck lid and place on basket with smooth side up.

3-Fill vacuum hose with water and insert hose fitting into hole in vacuum plate. If an equalizer pipe or main drain line has been plumbed to the front port, block off port with trimmer plate prior to installing vacuum plate for best vacuum action.

E. WINTERIZING PROCEDURE

1-Drain pool level well below skimmer inlet.

2-Plug both ports with **Pentair** o-ring style pipe plugs (Items 17, 18)

3-Cover top of skimmer to prevent rain water accumulation. If skimmer top cannot be covered conveniently, plug (1) port with **Pentair** o-ring style pipe plug and use "GIZZMO"® freeze protection device in other port. DO NOT use tapered metal plugs.

F. OPERATION

To obtain best skimmer performance, the pools hydraulic system must be designed to flow from 10 GPM to 55 GPM per skimmer. This insures an adequate flow of water over the skimmer's weir. The amount of flow to the pump or from the main drain/equalizer line is regulated by the trimmer plate (item 6). To adjust the flow to the pump, move trimmer plate over pump outlet port until desired flow is achieved to adjust the flow from the main drain/equalizer line, move trimmer plate over main drain/equalizer inlet port until desired flow is achieved.

The water level of the pool should be maintained at approximately half way up the skimmer opening. The water level should not be allowed to get within 1" of the top or bottom of the opening. If the water level drops too far, air might enter the hydraulic system.

**** WARNING ****

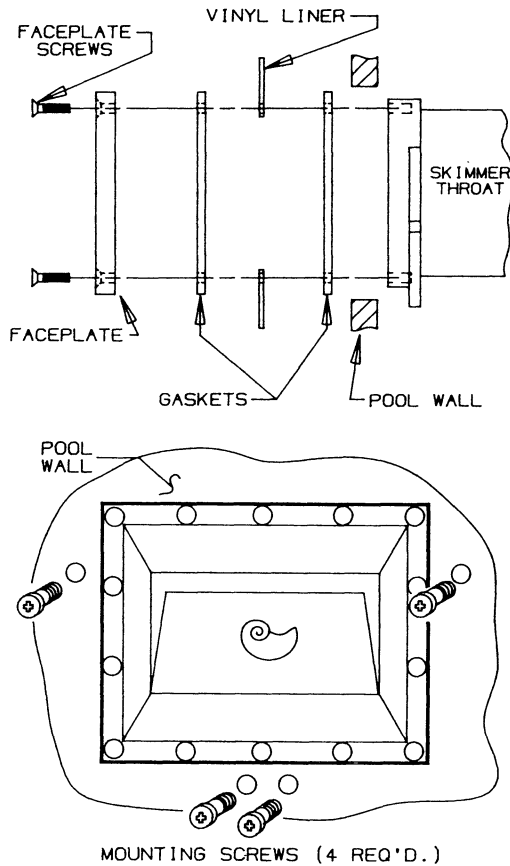
Air entering the hydraulic system could become trapped and pressurized in the system. Trapped air and improperly closed filters, pumps, chlorinators or other equipment could cause the equipment to separate, causing serious personal injury and/or major property damage.

READ AND FOLLOW ALL SAFETY INSTRUCTIONS

TABLE 1

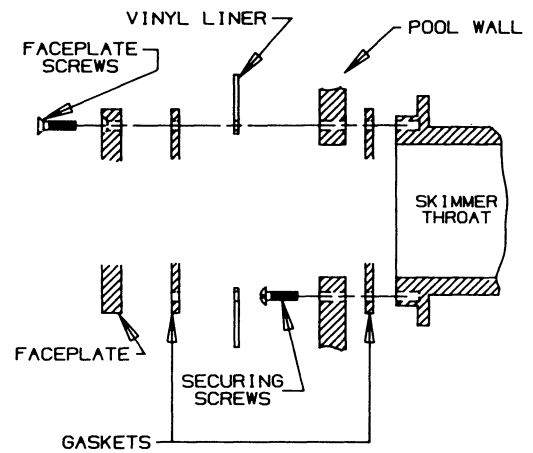
DESCRIPTION	STANDARD VERSION				WIDEMOUTH VERSION			
	HEIGHT		WIDTH		HEIGHT		WIDTH	
	MAX.	MIN.	MAX.	MIN.	MAX.	MIN.	MAX.	MIN.
THROUGH WALL MOUNT	7 11/16	7 9/16	9 7/8	9 3/4	7 3/4	7 5/8	17 3/8	17 1/4
FLUSH MOUNT	6 1/4	6	8 1/4	8	6 1/4	6	15 13/16	15 9/16

FIGURE 1



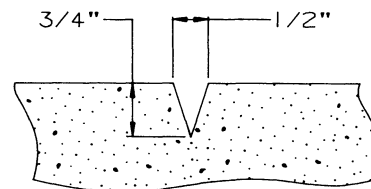
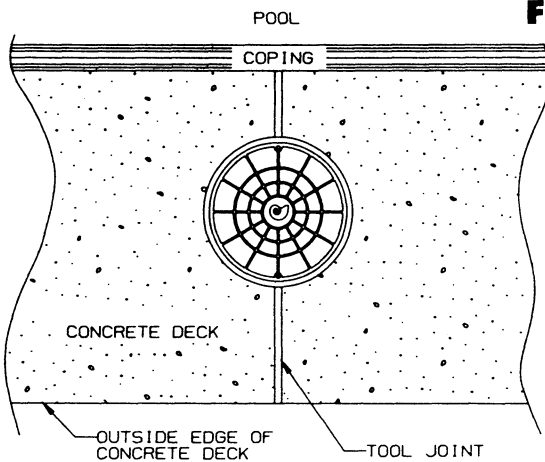
THROUGH WALL MOUNT

FIGURE 2



FLUSH MOUNT

FIGURE 3



TYPICAL TOOL JOINT
CROSS SECTION DETAIL
FOR 4" THICK DECK

READ AND FOLLOW ALL SAFETY INSTRUCTIONS

G. DIMENSIONS

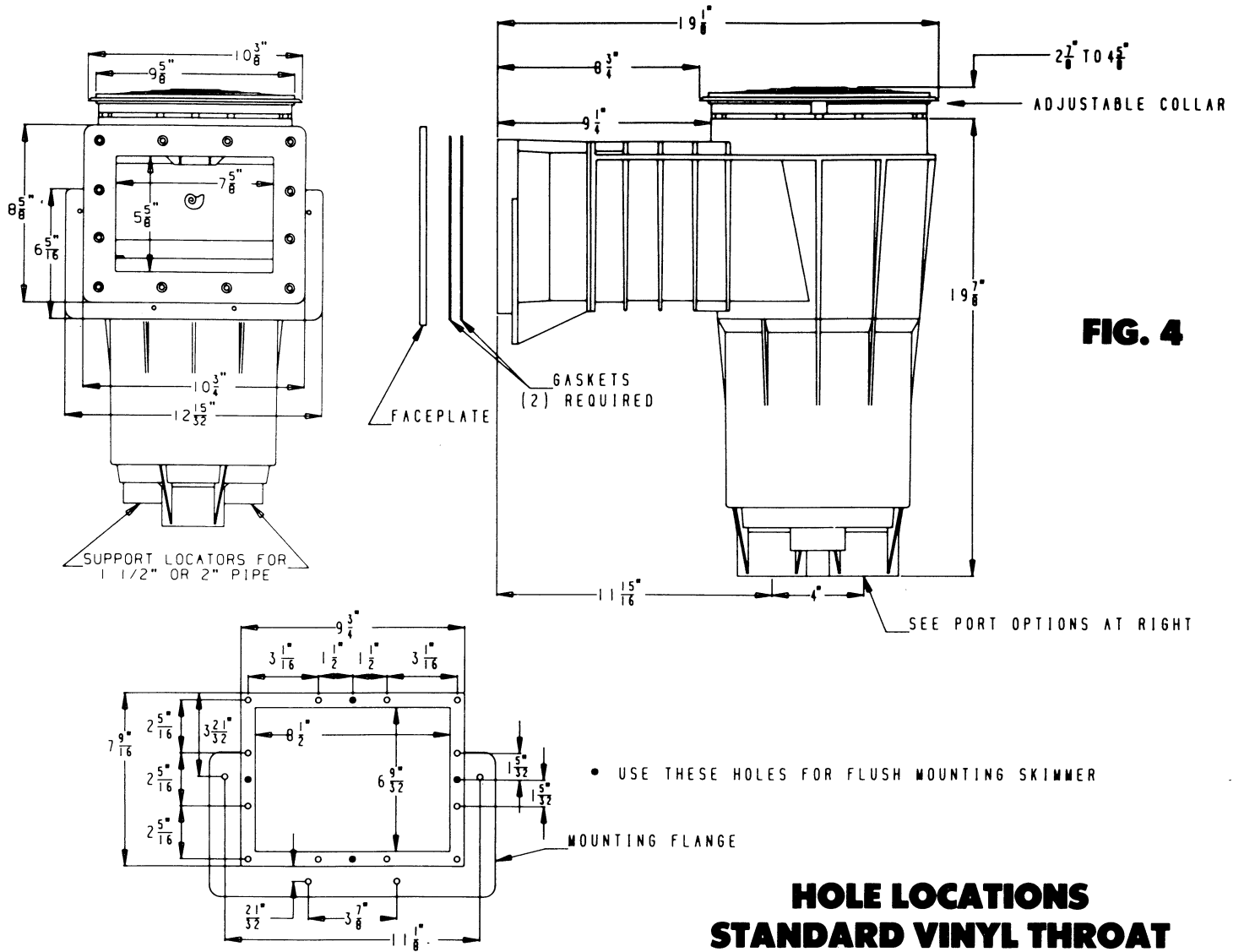
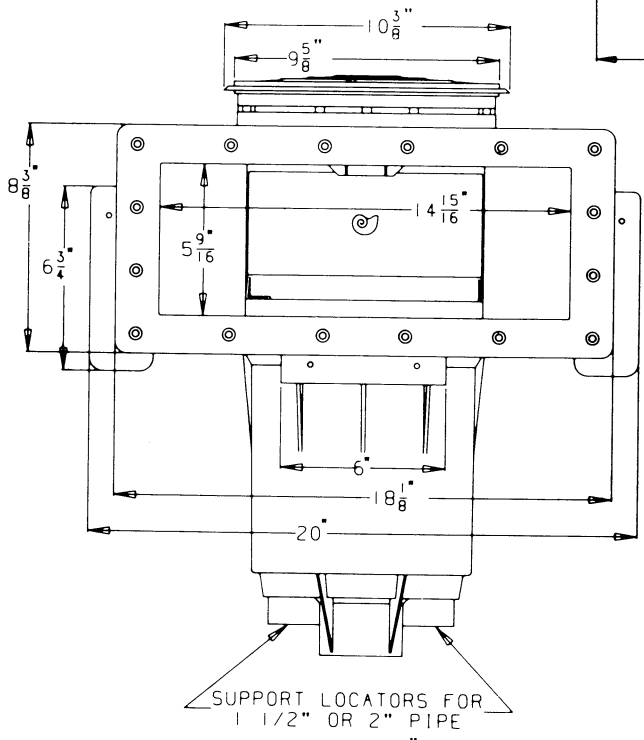
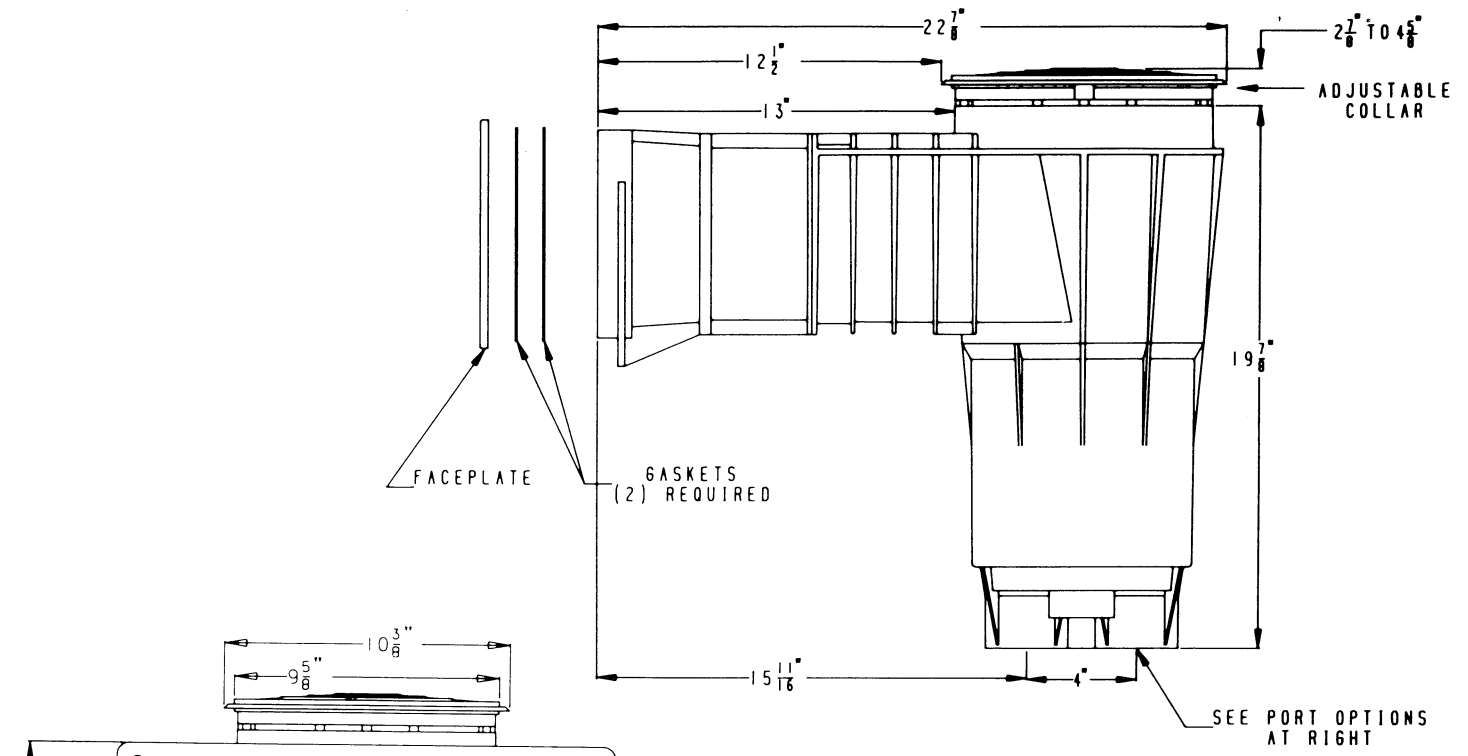


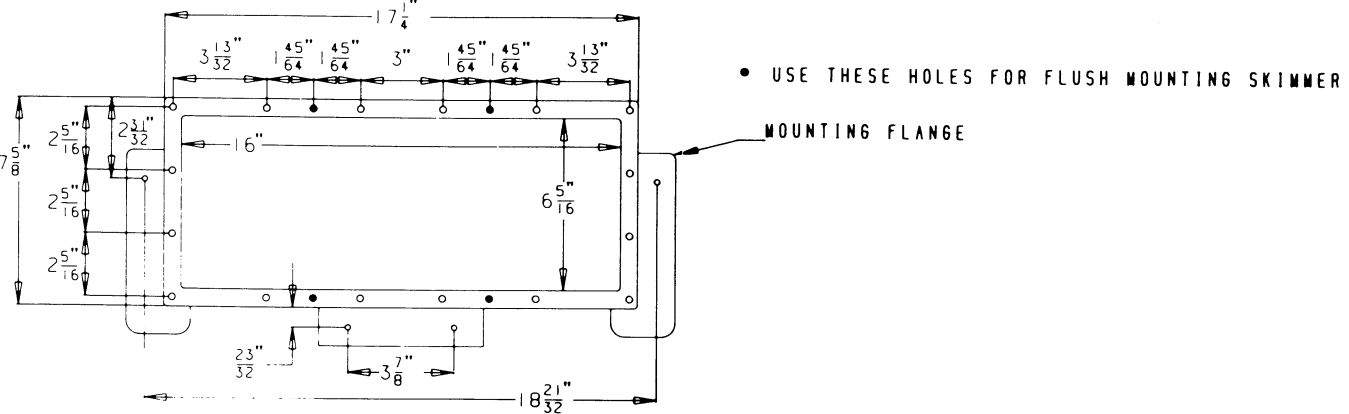
FIG. 4

READ AND FOLLOW ALL SAFETY INSTRUCTIONS



**HOLE LOCATIONS
WIDEMOUTH VINYL THROAT**

FIG. 5



READ AND FOLLOW ALL SAFETY INSTRUCTIONS

H. TROUBLESHOOTING GUIDE

Problem	Cause	Remedy
Pool surface not clean, inadequate skimming effect.	<ol style="list-style-type: none"> 1. Skimmer basket obstructed. 2. Incorrect pool water level. 3. Inadequate pool water circulation. 	<p>Clean Skimmer basket.</p> <p>Raise/lower pool water level to recommended heights.</p> <p>Position pool water return fittings to increase surface circulation.</p>
Pool surface clean, bottom dirty.	<ol style="list-style-type: none"> 1. Main drain obstructed. 2. Inadequate pool water circulation. 	<p>Clean main drain. Remove obstruction from main drain line.</p> <p>Position pool water return fittings to increase circulation at bottom of pool.</p>
Air returning to pool.	<ol style="list-style-type: none"> 1. Low pool water level. 	<p>Raise pool water level to recommended height.</p>

I. REPLACEMENT PARTS

NOTE:
ALL NSF APPROVED SKIMMERS COME COMPLETE WITH OPTIONAL FLOAT VALVE ASSEMBLY P/N 50-6160 AND EQUALIZER ASSEMBLY P/N 50-6162.

REPLACEMENT PARTS

ITEM	PART NO.	DESCRIPTION	QTY.
1	51-6242	SCREW, #8-32X1" SS	2
2	51-6215	DECK LID, WHITE	1
2	51-6216	DECK LID, TAN	1
2	51-6306	DECK LID, BLACK	1
3	51-6259	DECK COLLAR, VINYL, WHITE	1
3	51-6260	DECK COLLAR, VINYL, TAN	1
3	51-6307	DECK COLLAR, VINYL, BLACK	1
4	51-6112	BASKET	1
5	51-6243	SCREW, #8-X1/2" SS	1
6	51-6228	TRIMMER PLATE	1
7	51-6252	WEIR GATE ASSEMBLY	1
8	55-2518	FACEPLATE, STANDARD THROAT	1
8	55-2528	FACEPLATE, STANDARD THROAT, BLACK	1
9	55-2566	GASKET, STANDARD THROAT	2
10	51-6229	FACEPLATE, WIDEMOUTH THROAT	1
10	51-6319	FACEPLATE, WIDEMOUTH THROAT, BLK.	1
11	51-6231	GASKET, WIDEMOUTH THROAT	2
*12	51-6345	SCREW, #12-8X1" SS, STD. FACEPLATE	12
*12	51-6345	SCREW, #12-8X1" SS, WM. FACEPLATE	16
13	51-6240	SCREW, #12-8X5/8" SS	4
13	51-6241	SCREW, #12-8X1-1/4" SS	4
14	51-6237	FLANGE SPACER	3

* ORDER P/N 51-6239 FOR SKIMMERS MANUFACTURED PRIOR TO MARCH 1, 1993.

FLOAT VALVE PARTS

ITEM	PART NO.	DESCRIPTION	QTY.
-	35-5330	O-RING, SMALL	1
-	51-6228	TRIMMER PLATE	2
-	51-6243	SCREW, #8X1/2" SS	1
-	51-6244	O-RING, LARGE	1

OPTIONS

ITEM	PART NO.	DESCRIPTION	QTY.
15	50-6161	VACUUM PLATE ASSEMBLY	1
16	50-6160	FLOAT VALVE ASSEMBLY	1
17	19-5832	2" O-RING STYLE PLUG	-
18	19-2323	2" O-RING FOR 19-5832 PLUG	-
17	19-1368	1 1/2" O-RING STYLE PLUG	-
18	19-1474	1 1/2" O-RING FOR 19-1368 PLUG	-
19	50-6162	EQUALIZER ASSEMBLY	-

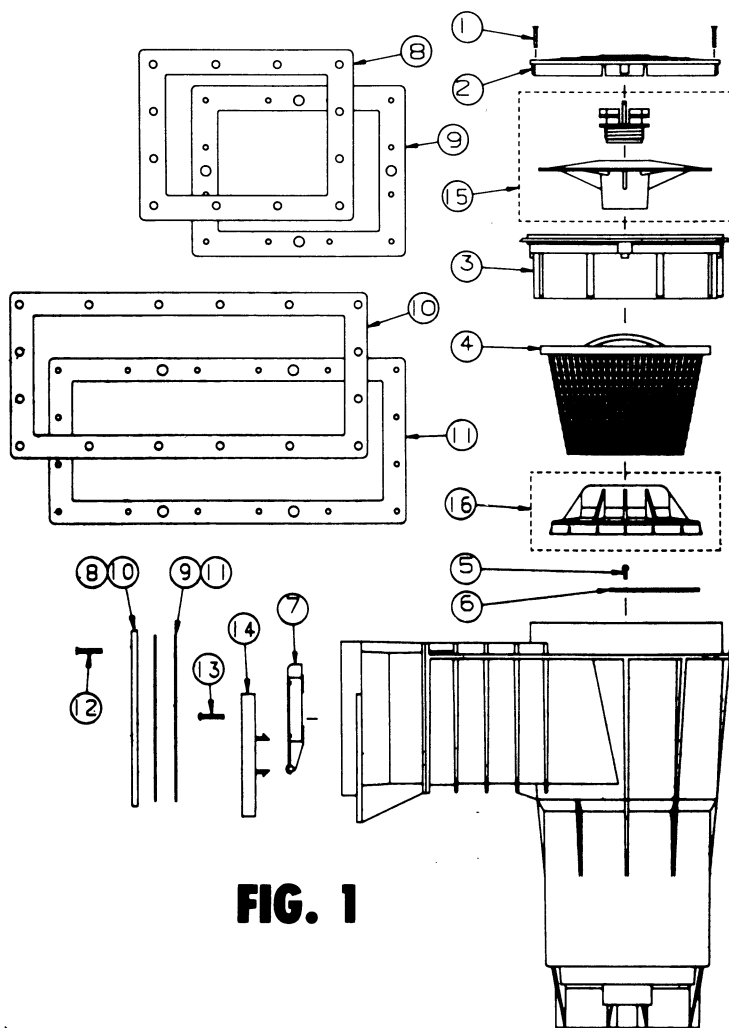


FIG. 1

