

Anthony Pools Underwater Light Owners Manual

IMPORTANT SAFETY INSTRUCTIONS *READ AND FOLLOW ALL INSTRUCTIONS* SAVE THESE INSTRUCTIONS

Table of Contents

SECTION I. REPLACING LIGHT FIXTURE IN EXISTING POOL	1
SECTION II. REPLACING A LAMP ONLY	3
SECTION III. REPLACEMENT PARTS	4

DANGER



Risk of Electrical Shock or Electrocution.

This Underwater Light must be installed by a licensed or certified electrician in accordance with the National Electrical Code and all applicable local codes and ordinances. Improper installation will create an electrical hazard which could result in death or serious injury to pool users, installer, or others due to electrical shock, and may also cause damage to property. Read and follow the specific instructions below.

WARNING

Before installing this Underwater Light, read and follow all warning notices and instructions accompanying this light. Failure to follow safety warnings and instructions can result in severe injury, death, or property damage. Call 1-800-426-3014 for additional free copies of these instructions.

Important Notice



Attention Installer.

This manual contains important information about the installation, operation and safe use of this product. This information should be given to the owner/operator of this equipment.

SECTION I. REPLACING LIGHT FIXTURE IN EXISTING POOL



A. Before replacing the light fixture

1. Verify that the pool meets the requirements of the current National Electrical Code and all local codes and ordinances. A licensed or certified electrician must install the electrical system to meet or exceed those requirements before the Underwater Light is installed. Some of the requirements of the National Electrical Code which the pool's electrical system must meet are as follows.

Check that:

- a. The lighting circuit has a Ground Fault Circuit Interrupter (GFCI), and has an appropriately rated circuit breaker.

b. The Junction Box (or, for 12 volt models, the low voltage transformer) is located at least 12 inches above water level and at least 48 inches from the edge of the pool, see Figure 1.

c. The light fixture and all metal items within 5 feet of the pool are properly electrically bonded.

d. The wet niche is properly installed so that the top edge of the Underwater Light's lens is at least 18 inches below the surface of the water in the pool, see Figure 1.

e. The wet niche is properly electrically bonded and grounded via the No. 8 AWG ground connector located at the rear of the niche, see Figure 1.

2. To be certain that the pool's electrical system meets all applicable requirements, the electrician should also consult the local building department.

3. Use only Anthony Pools wet niches to insure proper bonding and grounding connections.

B. Replacing light fixture after electrical system requirements are met.

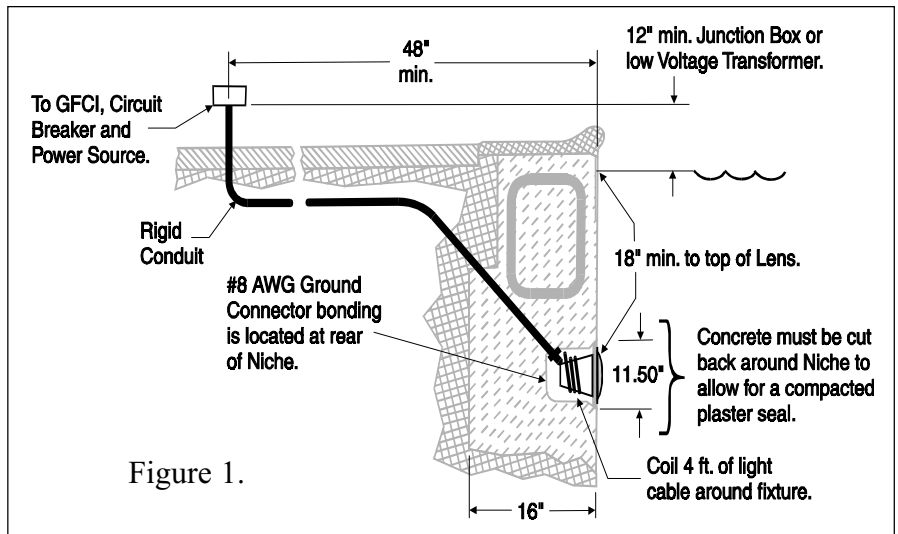


Figure 1.

⚠ WARNING

Failure to bring the pool's electrical system up to code requirements before installing the Underwater Light will create an electrical hazard which could result in death or serious injury to pool users, installers, or others due to electrical shock, and may also cause damage to property.

1. Turn off main electrical switch or circuit breaker, as well as the switch which operates the Underwater Light itself.
2. To remove light assembly, remove the special stainless steel pilot screw at top of face ring, remove light assembly from niche, and place assembly on deck.

⚠ WARNING

Be sure to keep the special stainless steel pilot screw from this Underwater Light. This screw mounts and electrically grounds the housing securely to the mounting ring and wet niche. Failure to use the screw provided could create an electrical hazard which could result in death or serious injury to pool users, installers or others due to electrical shock.

3. Remove Junction Box cover, disconnect the light fixture wires, and pull cord through the conduit.
4. Feed the new light fixture cord through the conduit from the niche to the Junction Box.

NOTE:

Depending on the length of the conduit, special tools may be required to pull the cord through the conduit.

5. Leave at least 4 feet of cord to coil around the light fixture, see Figure 1. This 4 feet of cord coiled around the light allows the light to be serviced after the pool is filled with water.

6. Cut the cord at the Junction Box, leaving at least 6 inches of cord to make connections.
7. Tighten the strain relief around the jacket of the cord.
8. Strip 6 inches of the outer cord jacket from the cord to expose the three insulated wires--be careful not to damage the insulation on the three inner wires.
9. Connect all three wires to the corresponding circuit wires in the Junction Box (black wire to power, white wire to common, and green wire to ground) and secure the Junction Box cover in place.

⚠ WARNING

Never operate this Underwater Light for more than 10 seconds unless it is totally submerged in water. Without total submersion, the light assembly will get extremely hot, which may result in serious burns or in breakage of the lamp or lens. This may result in serious injury to pool users, installers, or bystanders, or in damage to property.

10. Replace light assembly into niche and tighten special stainless steel pilot screw.

⚠ WARNING

Use only the special stainless steel pilot screw provided with this Underwater Light. This screw mounts and electrically grounds the housing securely to the mounting ring and wet niche. Failure to use the screw provided could create an electrical hazard which could result in death or serious injury to pool users, installers or others due to electrical shock.

11. Fill the pool until the Underwater Light is completely submerged in water before operating the light for more than 10 seconds. Turn on main switch or circuit breaker, as well as the switch which operates the Underwater Light itself, to check for proper operation.

SECTION II. REPLACING A LAMP ONLY

⚠ DANGER



Always disconnect power to the pool light at the circuit breaker before servicing the light. Failure to do so could result in death or serious injury to installer, serviceman, pool users or others due to electrical shock.

1. Turn off main electrical switch or circuit breaker, as well as the switch which operates the Underwater Light itself.
2. You will need to get the following:
 - a. A new lens gasket, p/n 014118.
 - b. The correct type lamp of proper wattage.

⚠ WARNING

Replace lamp with a similar type and wattage. Failure to replace lamp with the same type of lamp will damage the light assembly and may cause an electrical hazard resulting in death or serious injury to pool users, installers, or others due to electrical shock, and may also cause damage to property.

⚠ WARNING

Always install a new lens gasket (p/n 014118) whenever disassembling the light. Failure to do so may permit water to leak into the assembly which could cause:

- (a) an electrical hazard resulting in death or serious injury to pool users, installers, or others due to electrical shock., or
- (b) breakage of the lamp or lens, which likewise could result in serious injury to pool users, installers, or bystanders, or in damage to property.

3. To remove light assembly, remove the special stainless steel pilot screw at top of face ring, remove light assembly from niche, and place assembly on deck.

⚠ WARNING

Be sure to keep the special stainless steel pilot screw from this Underwater Light. This screw mounts and electrically grounds the housing securely to the mounting ring and wet niche. Failure to use the screw provided could create an electrical hazard which could result in death or serious injury to pool users, installers or others due to electrical shock.

4. Disassemble light fixture and remove bulb. Remove and discard old gasket.
5. Install new gasket during reassembly of light, p/n 014118.

⚠ WARNING

Never operate the Underwater Light for more than 10 seconds unless it is totally submerged in water. Without total submersion, the light assembly will get extremely hot and may result in serious burns or in breakage of the lamp or lens. This may result in serious injury to pool users, installers, or bystanders, or in damage to property.

6. Align the pilot screw on the face ring with the first "e" in the word "before" on the lens face. Then align the lens/face ring assembly to the housing by lining up the pilot screw with the arrow on warning label.
7. Secure ring to light fixture. Sealing screws must be tightened in the following manner to ensure a proper seal:
 - a. Partly tighten the screw at the 1 o'clock position, and then partly tighten the screw at the 7 o'clock position. Partly tighten the screw at another 'opposite' position, and then partly tighten the screw directly across from it.
 - b. Continue partly tightening all screws in the above sequence until all screws are evenly and securely tightened. Recommended 20 inch pounds torque.
8. Replace light assembly into niche and tighten special stainless steel pilot screw.

⚠ WARNING

Use only the special stainless steel pilot screw provided with this Underwater Light. This screw mounts and electrically grounds the housing securely to the mounting ring and wet niche. Failure to use the screw provided could create an electrical hazard which could result in death or serious injury to pool users, installer or others due to electrical shock.

9. Fill pool until the Underwater Light is completely submerged in water before operating the light for more than 10 seconds. Turn on main switch or circuit breaker, as well as the switch which operates the Underwater Light itself, to check for proper operation.

SECTION III. REPLACEMENT PARTS

Item No.	Part No.	Description
1	014406	Pilot Screw
2	014306	Face ring
3	014434	Retaining clip, pilot screw
4	014117	Lens, clear
4	001424	Lens, blue
5	014118	Gasket, lens
6	014246	Floodlamp, med. base, 300 watt, 120 volt
7	014406	Back-up ring
8	024900	Screw, back-up ring

SAVE THESE INSTRUCTIONS.

