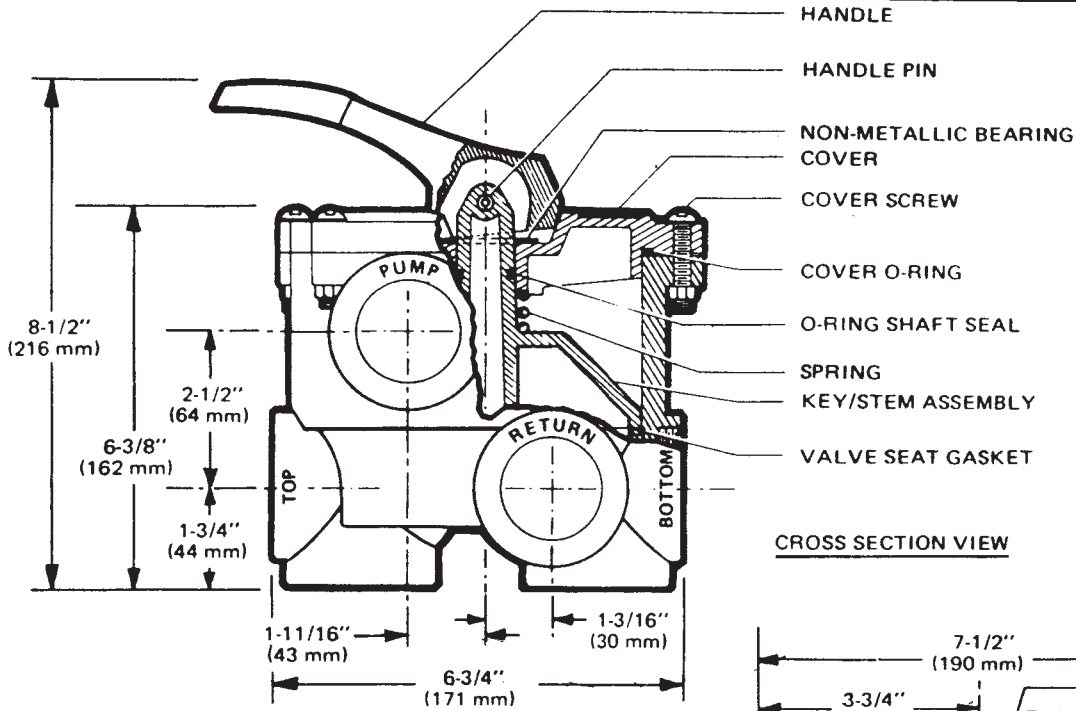


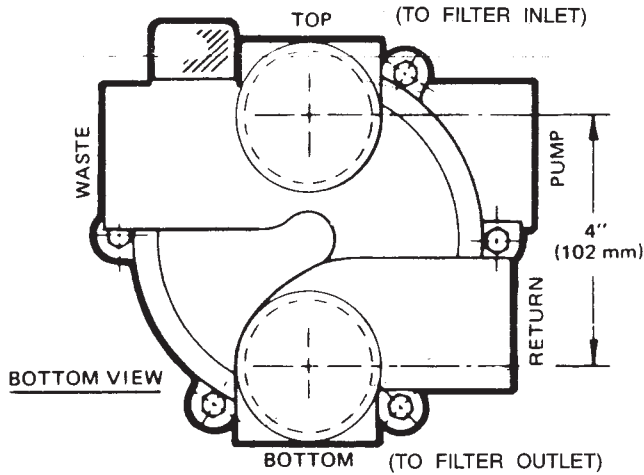


INSTRUCTION SHEET

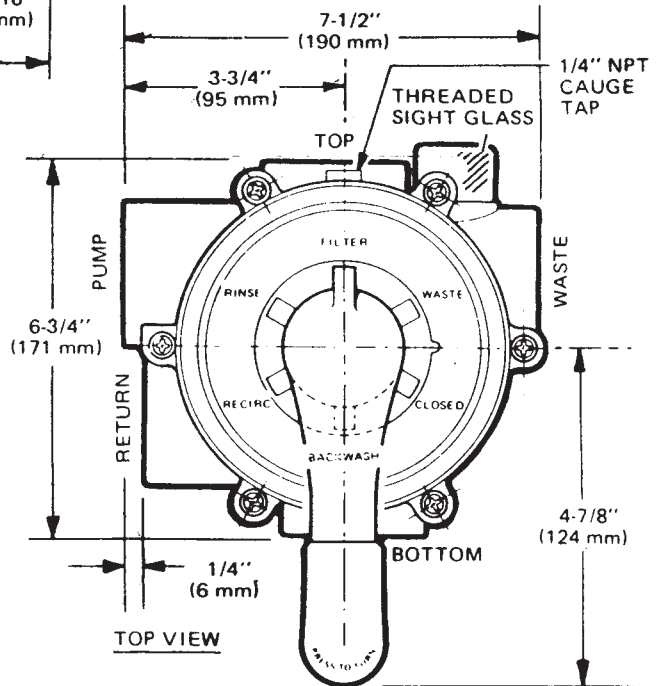
SP0715 *Vari-Flo*™ Multiport Valve



CROSS SECTION VIEW



BOTTOM VIEW

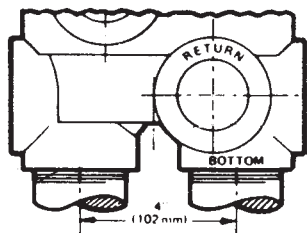


TOP VIEW

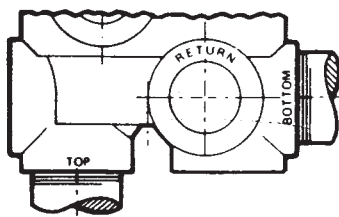
NOTE: DOTTED LINES INDICATE OPTIONAL "TOP" OR "BOTTOM" PORTS.

NOTE: "TOP" IS FILTER INLET; "BOTTOM" IS FILTER OUTLET.

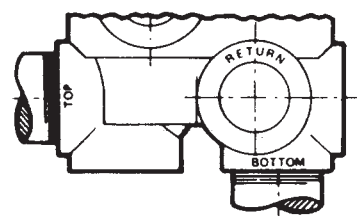
PORT PIPING VARIATIONS



1 MODEL SP07151
"TOP" and "BOTTOM" Ports on bottom of valve body.



2 MODEL SP07152
"TOP" Port on bottom of valve body;
"BOTTOM" Port on side of valve



3 MODEL SP07153
"TOP" Port on side of valve body.
"BOTTOM" Port on bottom of valve body.

FUNCTIONS OF VALVE POSITIONS

VALVE SETTING	FLOW DIRECTION THROUGH VALVE
FILTER	PUMP - TOP - THROUGH FILTER - BOTTOM - RETURN For normal filtration and vacuuming pool through filter.
BACKWASH	PUMP - BOTTOM - THROUGH FILTER - TOP - WASTE For reversing flow for cleaning filter.
RINSE	PUMP - TOP - THROUGH FILTER - BOTTOM - WASTE For initial start-up cleaning, plus resetting filter bed after backwashing.
WASTE	PUMP - WASTE For vacuuming directly to waste, lowering pool level/draining pool.
CLOSED	NO CIRCULATION PAST PUMP PORT For shutting off all flow to filter and pool.
RECIRCULATE	PUMP - RETURN For bypassing filter, but circulating pool water. May be plumbed for "off-system" pool water access. Ideal for Jet-Air® fittings.

GENERAL

1. Pipe tap boss provided for influent pressure gauge. (Optional pipe plug included).
2. For filter air relief tube (optional)—Tap valve at either RETURN or BOTTOM port areas. Do not obstruct pipe threads.
3. Piping stops are provided to prevent over-tightening. Always use Teflon pipe tape or Permatex No. 2 for connections to provide a good, "living" seal. Add extra sealant if male pipe fitting is undersized.
4. WINTERIZING—Drain and winterize filter and pump per manufacturer's instructions. To drain water from Vari-Flo valve—depress and rotate valve handle and place handle pointer on raised portion of index hubs at any "in-between" position.
5. SERVICING VALVE—If it becomes necessary to service or gain access to the key or valve seat gasket:
 - a. Set handle in filter position.
 - b. Remove cover screws.
 - c. Lift cover and key assembly out

TO ASSEMBLE:

- d. Place valve key so that wedge opening is at TOP port (handle in Filter position). Flat edge of cover screw lug should align with flat edge of body screw lug.
- e. Position cover O-ring.
- f. Secure assembly to body with cover screws. Tighten cover screws evenly and alternately. Do not overtighten.

SPECIAL INSTRUCTIONS:

For complete disassembly of key and handle assembly.

- a. To remove handle pin—Depress handle to allow pin to clear indexing hub, and tap out handle pin with a drift pin or other solid pin bar.
- b. Remove cover screws and remove parts. Note the proper position and sequence of all parts.
- c. Assembly:
 1. Place valve key on a smooth, firm surface (place a cloth underneath to protect the flat sealing surface).
 2. Place parts on key and shaft in proper sequence—i.e., spring washer, spring, spring washer, cover, bearing, etc. Note: Make sure "Filter" position on cover is over "wedge" opening in key.
 3. Firmly pressing down and holding cover to depress heavy-duty spring, align handle (with pointer to filter) and secure handle with pin.
 4. Assemble key assembly to valve as in d, e, f, above.



HAYWARD POOL PRODUCTS, INC.

Hayward Pool Products, Inc.
900 Fairmount Avenue
Elizabeth, NJ 07207

Hayward Pool Products, Inc.
2875 Pomona Boulevard
Pomona, CA. 91768

Hayward Pool Products Canada
2880 Plymouth Drive
Oakville, Ontario L6H 5R4

Hayward Pool Products Europe
Parc Industriel de la Plaine de L'Ain
Allee Des Chenes
01150 Saint Vulbas

France
© 2004 Hayward Printed in U.S.A.