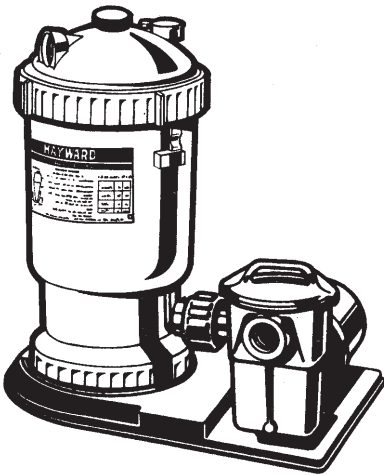


**HAYWARD®**

# ASL Filter Series

MODELS C85075XES, C125080X5S

*All Season Long*

The ASL models C85075XES and C125080X5S are high performance swimming pool filters with a maximum flow rating of 70 gallons per minute. Manufactured from Hayward's exclusive PermaGlassXL™ material, ASL is designed to provide years of trouble-free operation.

## A. FEATURES

- New glass reinforced, non-corrosive PermaGlassXL filter tank will provide years of trouble-free operation.
- Easy-Lok™ ring design allows quick access to all internal components.
- Unique safety latch prevents unwanted entry into the tank.
- Self-venting design automatically purges any air present in the system.

## B. SYSTEM LOCATION

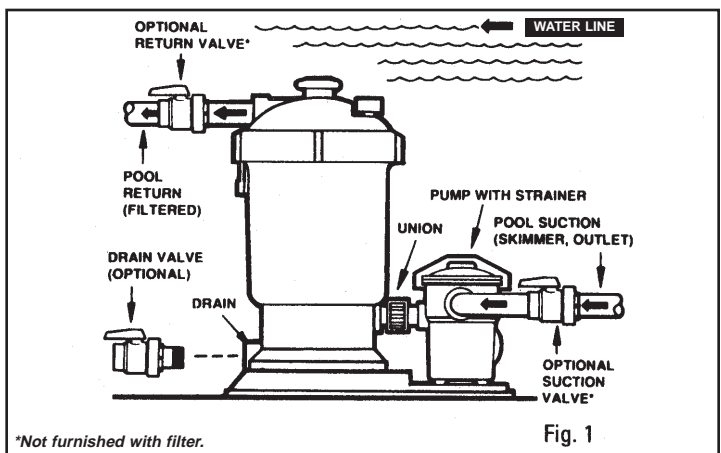
1. Though the filter is designed for outdoor use, it is advisable to protect electrical components from the weather. Select a well-drained area, one that will not flood when it rains.
2. For best pump performance, place the system below the swimming pool water line.
3. Set the filter and pump on firm, level ground. Position the tank for easy access to the internals, and pressure gauge, with at least 24"/610 mm (C85075XES) or 27"/686 mm (C125080X5S) of top clearance. Position the filter so that it may drain by gravity.

**NOTE:** ANSI/NSPI-4 Article V, standard for above-ground and on-ground pools, advises that components such as the filtration system, pumps and heater be positioned so as to prevent their being used as a means of access to the pool by young children.

## C. PLUMBING

1. Use 1-1/4" or 1-1/2" I.D. flexible plastic pipe, or hose, joined with insert fittings and stainless steel clamps. If rigid PVC is used, be sure to provide unions for easy servicing.
2. All plumbing connections on the ASL filter are 1-1/2" N.P.T. When making connections, use plastic male-end adapters. Apply three turns of Teflon tape or plastic pipe sealant to the male threads. Screw the fitting into the threads hand tight; then, using a wrench, tighten one more full turn if necessary. Adapters have varying tolerances and overtightening with a wrench may only cause damage to the filter.
3. Ball-type valves are recommended where needed. (See Fig. 1)
4. Securely hand tighten the union nut between the filter and pump.
5. Connect the pool suction plumbing between the skimmer, pool outlet, and the pump.
6. Connect the pool return (inlet) plumbing.
7. A drain plug is furnished with each filter and is all that is needed for complete filter draining. A manual air vent valve is furnished to aid in the bleeding of unwanted air when starting or draining the filter.
8. All electrical connections should be made in accordance with local codes.
9. Refer to pump instruction book for pump information.

## PREFERRED FILTER LOCATION —BELOW WATER LINE

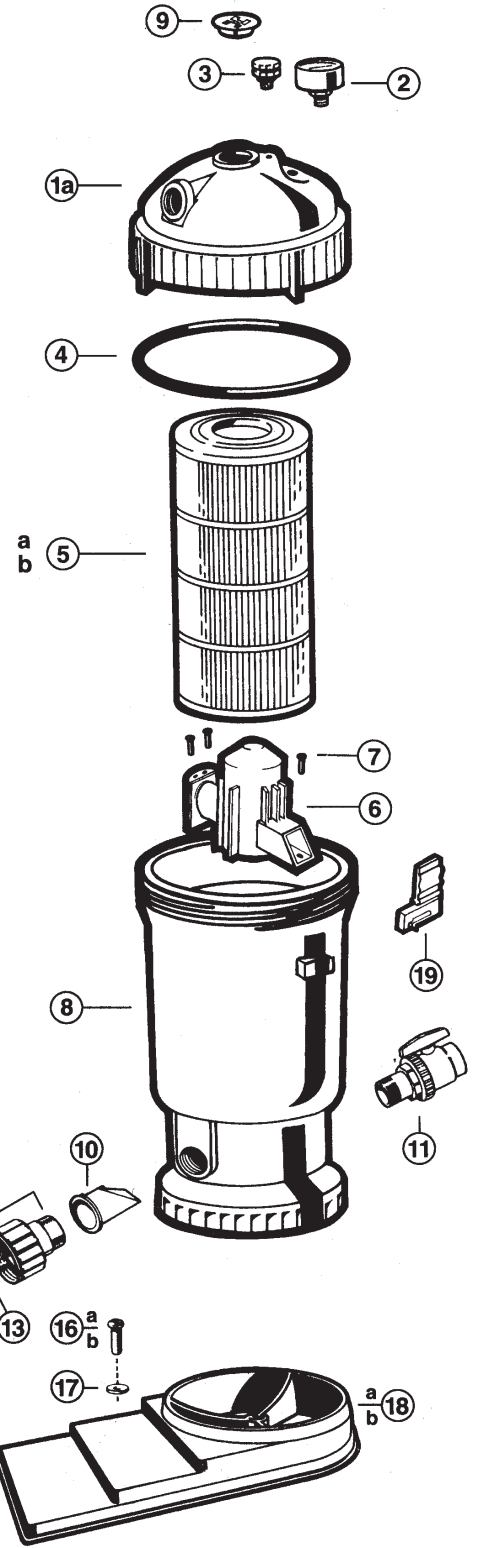
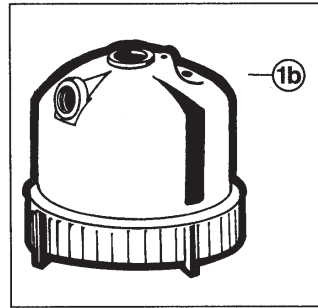


## D. PARTS

MODELS C85075XES, C125080X5S

# SERIES FILTER

REF. NO.	PART NO.	DESCRIPTION	NO. REQ'D.
1a	SCX45BC	C850 Filter Head with Locking Ring	1
1b	SCX70BC	C1250 Filter Head with Locking Ring	1
2	ECX27091	Pressure Gauge	1
3	ECX1322A	Air Relief	1
4	RGX45G	Filter Head O-Ring	1
5a	CX850RE	C850 Cartridge Element	1
5b	CX1250RE	C1250 Cartridge Element	1
6	RGX45D	Diffuser	1
7	RGX45Z1	Diffuser Screws	3
8	RGX45AA	Filter Body	1
9	RGX45L	Logo Cap	1
10	ECX4077B1	Check Valve	1
—	ECX1005A	Snap Ring for Check Valve	1
11	SPO723	Ball Valve	1
12	SP1480	1-1/2" Male Union	1
13	SPX1425Z6	O-Ring	1
14	—	Power-Flo LX Pump	1
15a	SPX1500WA	6 ft. Cord Set	1
15b	SPX1550WA1	3 ft. Twist Lock Cord Set (Not Shown)	1
16a	ECX1108	Pump Mounting Screw	2
16b	ECX1306	Pump Mounting Screw	4
17	ECX1109	Washer	2
18a	ECX1161	Platform Base (Not Shown)	1
18b	ECX1169	3-Tier Base	1
19	CX400D	Locking Ring Latch	1



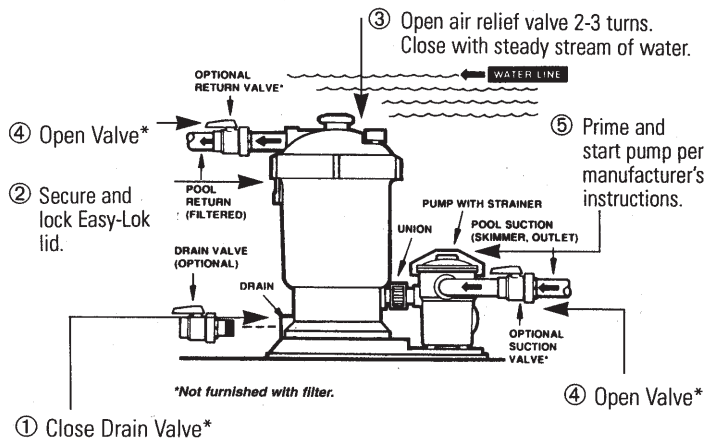
## ASL SPECIFICATIONS

Model No.	C-850		C-1250	
	Effective Filtration Area	85 FT <sup>2</sup>	7.9 M <sup>2</sup>	120 FT <sup>2</sup>
Design Flow Rate	70 GPM	265 LPM	85 GPM	322 LPM
Pressure Loss at Design Flow Rate	1 PSI	.07 BAR	1 PSI	.07 BAR
Maximum Working Pressure	50 PSI	3.45 BAR	50 PSI	3.45 BAR
Required Clearance				
Side	18 IN	457 MM	18 IN	457 MM
Above	20 IN	508 MM	27 IN	686 MM

## E. BEFORE STARTING THE FILTER

Superchlorinate the pool water by adding unstabilized granular or liquid chlorine. Stabilized forms of chlorine are recommended for normal use after the initial clean-up of the water. Follow chemical manufacturer's recommendations for superchlorination and daily use.

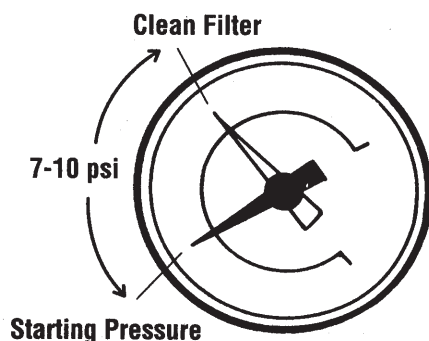
## F. STARTING THE FILTER



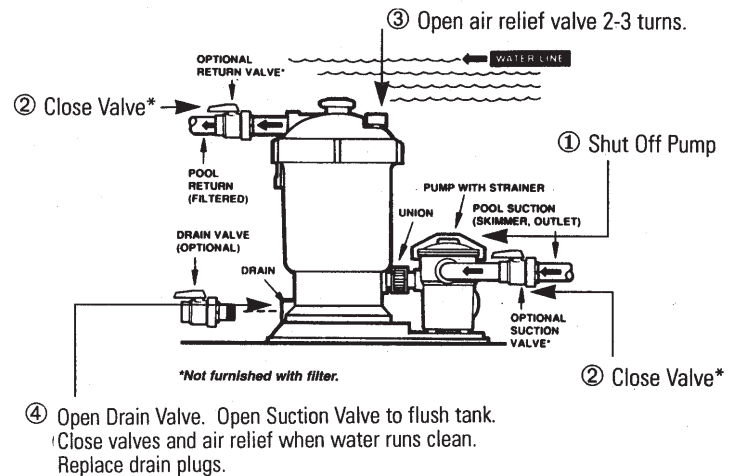
**CAUTION: All suction and discharge valves must be open before operating the filter system. Failure to do so could cause severe personal injury and/or property damage.**

## G. FILTERING

Filtration starts as soon as flow is steady through the filter. Clean cartridge when pressure rises 7-10 psi (.49-.69 BAR) from starting pressure.



## H. CLEANING/REPLACING CARTRIDGE ELEMENT



1. Follow steps 1-4 in cleaning.
2. Depress safety latch and unscrew in a counterclockwise direction.
3. Lift out filter element and clean as instructed in PREVENTATIVE MAINTENANCE SECTION.

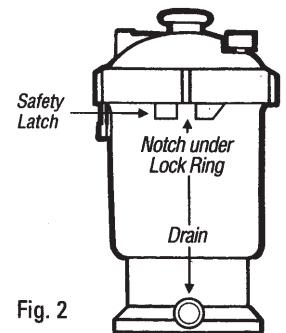


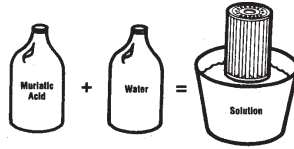
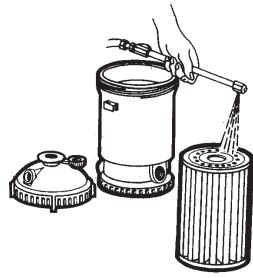
Fig. 2

## I. REINSTALLING ELEMENT

1. Clean debris from bottom tank.
2. Replace element evenly on the collector hub in bottom of the filter body.
3. Place Easy-Lok lid evenly on filter body and turn clockwise until the notch on the locking ring engages securely to the safety latch directly over the drain. (see Fig. 2)
4. Proceed as in STARTING THE FILTER.

## J. PREVENTATIVE MAINTENANCE

1. Pressure wash cartridge inside and out with Hayward's Jet-Action Cleaning Wand (EC2024) or a garden hose.
2. Allow to dry and brush pleated surface areas.
3. To remove algae, suntan oil and body oils, soak for one hour in a solution of filter element cleaner. (See your local pool dealer)
4. To remove calcium or mineral deposits, soak in muriatic acid solution. \*Caution: Use a plastic container and take extreme care—harmful to eyes, skin and clothing.  
After cleaning, flush with water.



## M. SERVICE AND REPAIRS

Consult your local authorized Hayward dealer or service center. No returns may be made directly to the factory without the expressed written authorization of Hayward Pool Products, Inc.

## N. ALGAE CONTROL

Algae is a form of plant life which can vary in size from a few thousandths of an inch to the size of a small tree. Of the many forms of algae, those most frequently found in swimming pool water are microscopic in size and green in color.

Algae readily grows in sunlight and can, under favorable conditions, quickly overgrow a swimming pool turning it completely green in just a few hours. On the other hand, swimming pool water can be kept unfavorable to algae growth simply by maintaining a free chlorine level of at least 1.0 ppm in the water at all times. The chlorine level should be checked at least once a day using a suitable test kit.

If an algae condition develops and the pool water "blooms" green, superchlorination of the pool will be necessary to clear it. Add unstabilized granular chlorine, or liquid chlorine. Follow chemical manufacturer's recommendation for superchlorination. The algae will quickly become inactive and can then be removed by the filter. Live algae, on the other hand, multiplies so fast that the filter cannot keep up with its growth rate.

When correctly used, commercial algaecides are effective against algae, though algaecides should be used in conjunction with, and not as a substitute for, regular chlorination or superchlorination.

Maintaining a free chlorine level of at least 1.0 ppm in the pool water at all times is the most effective way to prevent algae growth in swimming pools.

## K. VACUUMING

Vacuuming can be performed directly into the filter whenever needed. For fastest results, clean the filter before and after each vacuuming period. For heavy spring clean-ups, we recommend using a Hayward SPO727 diverter valve to bypass the filter and accelerate the clean-up process. Consult your local Hayward dealer for a detailed explanation.

## L. WINTERIZING

In areas where sub-freezing temperatures can be expected, the filter should be drained and/or removed from its operating location and stored indoors. Clean the element at the end of the pool season by using your garden hose with a high pressure nozzle or the Hayward EC2024 Jet-Action Cleaning Wand. You will then be prepared to enjoy your pool the next spring.

## POOL CHEMISTRY GUIDELINES

SUGGESTED POOL CHEMISTRY LEVELS		ACTION REQUIRED TO CORRECT POOL CHEMISTRY	
		TO RAISE	TO LOWER
pH	7.2 to 7.6	Add Soda Ash	Add Muriatic Acid or Sodium Bisulphate
TOTAL ALKALINITY	100 to 130 ppm	Add Sodium Bicarbonate	Add Muriatic Acid
FREE CHLORINE	1.0 to 3.0 ppm	Add Chlorine Chemical	No action - chlorine will naturally dissipate
BROMINE	2 to 4 ppm	Add Bromine	No action - bromine will naturally dissipate
CHLORINE STABILIZER (Cyanuric Acid)	40 to 70 ppm	Add Stabilizer	Dilution - partially drain & refill pool with water that has not been treated with Cyanuric Acid.



# HAYWARD POOL PRODUCTS, INC.

Hayward Pool Products, Inc.  
900 Fairmount Avenue  
Elizabeth, NJ 07207

Hayward Pool Products, Inc.  
2875 Pomona Boulevard  
Pomona, CA 91768

Hayward Pool Products Canada  
2880 Plymouth Drive  
Oakville, Ontario L6H 5R4

Hayward S.A.  
Zone Industrielle de Jumet  
B - 6040 Charleroi (Belgium)